

---

# Owner's Manual

---

## **ELECTRIC CHAIN HOIST SER SERIES**

¼ tonne through 3 tonne Capacity

Model, Lot and Serial Number

### **⚠ WARNING**

This equipment should not be installed, operated or maintained by any person who has not read and understood all the contents of this manual. Failure to read and comply with the contents of this manual can result in serious bodily injury or death, and/or property damage.

**KITO**  
**HOISTS & CRANES**

## Table of Contents

<b>Section</b>	<b>Page Number</b>
1.0 Important Information and Warnings .....	4
1.1 Terms and Summary	
1.2 Warning Tags and Labels	
2.0 Technical Information.....	8
2.1 Specifications	
2.2 Dimensions	
3.0 Preoperational Procedures .....	11
3.1 Fill Gear Box with Oil	
3.2 Chain	
3.3 Mounting Location	
3.4 Mounting the Hoist	
3.5 Electrical Connections	
3.6 Preoperational Checks and Trial Operation	
4.0 Operation .....	18
4.1 Introduction	
4.2 Shall's and Shall Not's for Operation	
4.3 Hoist Controls	
5.0 Inspection .....	21
5.1 General	
5.2 Inspection Classification	
5.3 Frequent Inspection	
5.4 Periodic Inspection	
5.5 Occasionally Used Hoists	
5.6 Inspection Records	
5.7 Inspection Methods and Criteria	

<b>Section</b>	<b>Page Number</b>
6.0 Maintenance & Handling .....	28
6.1 Lubrication	
6.2 Motor Brake	
6.3 Load Chain	
6.4 Friction Clutch	
6.5 Storage	
6.6 Outdoor Installation	
7.0 Troubleshooting .....	34
8.0 Parts List.....	37
9.0 Warranty.....	55

## 1.0 Important Information and Warnings

### 1.1 Terms and Summary

This manual provides important information for personnel involved with the installation, operation and maintenance of this product. Although you may be familiar with this or similar equipment, it is strongly recommended that you read this manual before installing, operating or maintaining the product.

#### Danger, Warning, Caution and Notice

Throughout this manual there are steps and procedures that can present hazardous situations. The following signal words are used to identify the degree or level of hazard seriousness.

**⚠ DANGER** Danger indicates an imminently hazardous situation which, if not avoided, **will** result in **death or serious injury**, and property damage.

**⚠ WARNING** Warning indicates an imminently hazardous situation which, if not avoided, **could** result in **death or serious injury**, and property damage.

**⚠ CAUTION** Caution indicates a potentially hazardous situation which, if not avoided, **may** result in **minor or moderate injury** or property damage.

**NOTICE** Notice is used to notify people of installation, operation, or maintenance information which is important but not directly hazard-related.

### ⚠ CAUTION

These general instructions deal with the normal installation, operation, and maintenance situations encountered with the equipment described herein. The instructions should not be interpreted to anticipate every possible contingency or to anticipate the final system, crane, or configuration that uses this equipment. For systems using the equipment covered by this manual, the supplier and owner of the system are responsible for the system's compliance with all applicable industry standards, and with all applicable federal, provincial and local regulations/codes.

This manual includes instructions and parts information for a variety of hoist types. Therefore, all instructions and parts information may not apply to any one type or size of specific hoist. Disregard those portions of the instructions that do not apply.

Record your hoist's Model, Lot and Serial Number (see section 8) on the front cover of this manual for identification and future reference to avoid referring to the wrong manual for information or instructions on installation, operation, inspection, maintenance, or parts.

Use only Kito authorized replacement parts in the service and maintenance of this hoist.

## **WARNING**

Equipment described herein is not designed for and **MUST NOT** be used for lifting, supporting, or transporting people, or for lifting or supporting loads over people.

Equipment described herein should not be used in conjunction with other equipment unless necessary and/or required safety devices applicable to the system, crane, or application are installed by the system designer, system manufacturer, crane manufacturer, installer, or user.

Modifications to upgrade, rerate, or otherwise alter this equipment shall be authorized only by the original equipment manufacturer.

Equipment described herein may be used in the design and manufacture of cranes or monorails. Additional equipment or devices may be required for the crane and monorail to comply with applicable crane design and safety standards. The crane designer, crane manufacturer, or user is responsible to furnish these additional items for compliance. Refer to ANSI/ASME B30.17, "Safety Standard for Top-Running Single Girder Cranes"; ANSI/ASME B30.2 "Safety Standard for Top-Running Double-Girder Cranes"; and ANSI/ASME B30.11 "Safety Standard for Underhung Cranes and Monorails".

If a below-the-hook lifting device or sling is used with a hoist, refer to ANSI/ASME B30.9, "Safety Standard for Slings" or ANSI/ASME B30.20, "Safety Standard for Below-the-Hook Lifting Devices".

Hoists and cranes, used to handle hot molten material may require additional equipment or devices. Refer to ANSI Z241.2, "Safety Requirements for Melting and Pouring of Metals in the Metalcasting Industry".

The system designer, system manufacturer, crane designer, crane manufacturer, installer, or user is responsible to ensure that the installation and associated wiring of these electrical components is in compliance with the Canadian Electrical Code, and all applicable Federal, Provincial and Local Codes.

Failure to read and comply with any one of the limitations noted herein can result in serious bodily injury or death, and/or property damage.

## **DANGER**

**HAZARDOUS VOLTAGES ARE PRESENT IN THE CONTROL BOX, OTHER ELECTRICAL COMPONENTS, AND CONNECTIONS BETWEEN THESE COMPONENTS.**

Before performing ANY mechanical or electrical maintenance on the equipment, de-energize (disconnect) the main switch supplying power to the equipment; and lock and tag the main switch in the de-energized position. Refer to ANSI Z244.1, "Personnel Protection – Lockout/Tagout of Energy Sources".

Only trained and competent personnel should inspect and repair this equipment.

## **NOTICE**

It is the responsibility of the owner/user to install, inspect, test, maintain, and operate a hoist in accordance with ANSI/ASME B30.16, "Safety Standard for Overhead Hoists". If the hoist is installed as part of a total lifting system, such as an overhead crane or monorail, it is also the responsibility of the owner/user to comply with the applicable volume of ANSI/ASME B30 that addresses that type of equipment and CSA B167-08.

It is the responsibility of the owner/user to have all personnel that will install, inspect, test, maintain, and operate a hoist read the contents of this manual and applicable portions of ANSI/ASME B30.16, "Safety Standard for Overhead Hoists". If the hoist is installed as part of a total lifting system, such as an overhead crane, the applicable ANSI/ASME B30 volume that addresses that type of equipment and CSA B167-08 must also be read by all personnel.

If the hoist owner/user requires additional information, or if any information in the manual is not clear, contact Kito or the distributor of the hoist. Do not install, inspect, test, maintain, or operate this hoist unless this information is fully understood.

A regular schedule of inspection of the hoist in accordance with the requirements of ANSI/ASME B30.16 should be established and records maintained.

## 1.2 Warning Tags and Labels

The warning tag illustrated below in [Figure 1-1](#) is supplied with each hoist shipped from the factory. If the tag is not attached to your hoist's pendant cord, order a tag from your dealer and install it. Read and obey all warnings attached to this hoist. Tag is not shown actual size.

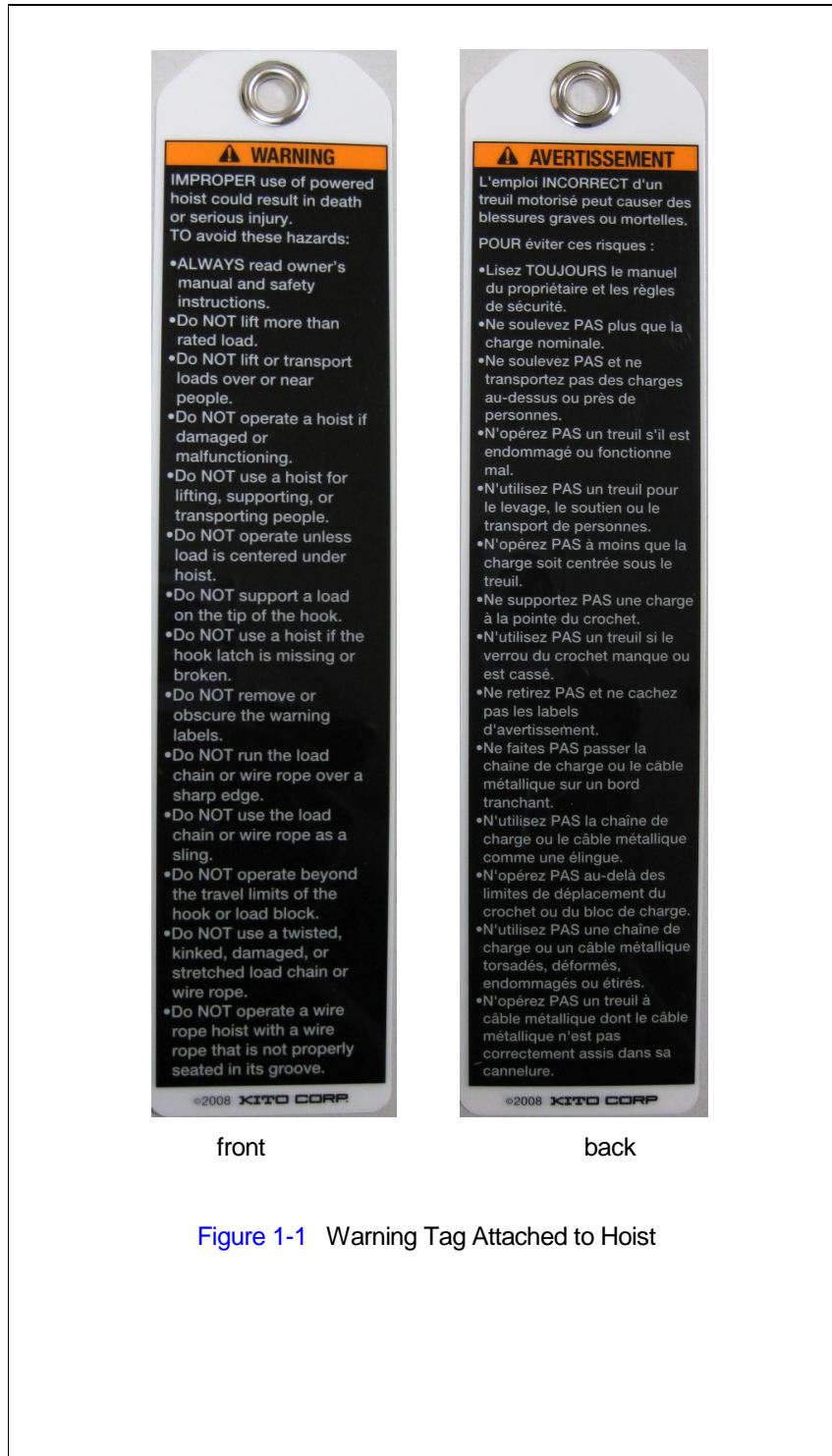
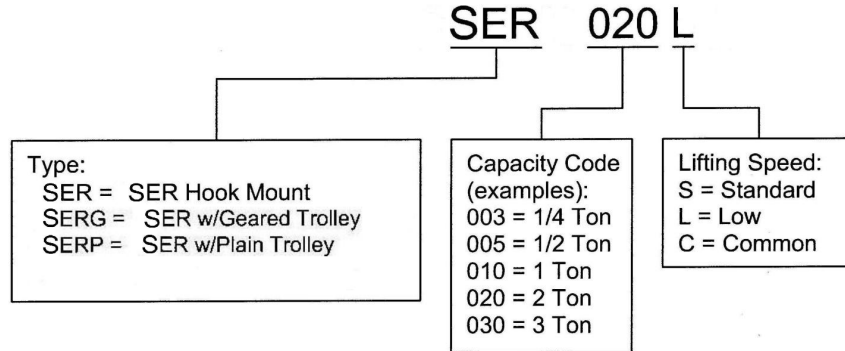


Figure 1-1 Warning Tag Attached to Hoist

## 2.0 Technical Information

### 2.1 Specifications

#### 2.1.1 Product Code



2.1.2 SER Models – Kito SER series hoists have a friction clutch mechanism that provides over winding protection.

#### 2.1.3 Operating Conditions and Environment

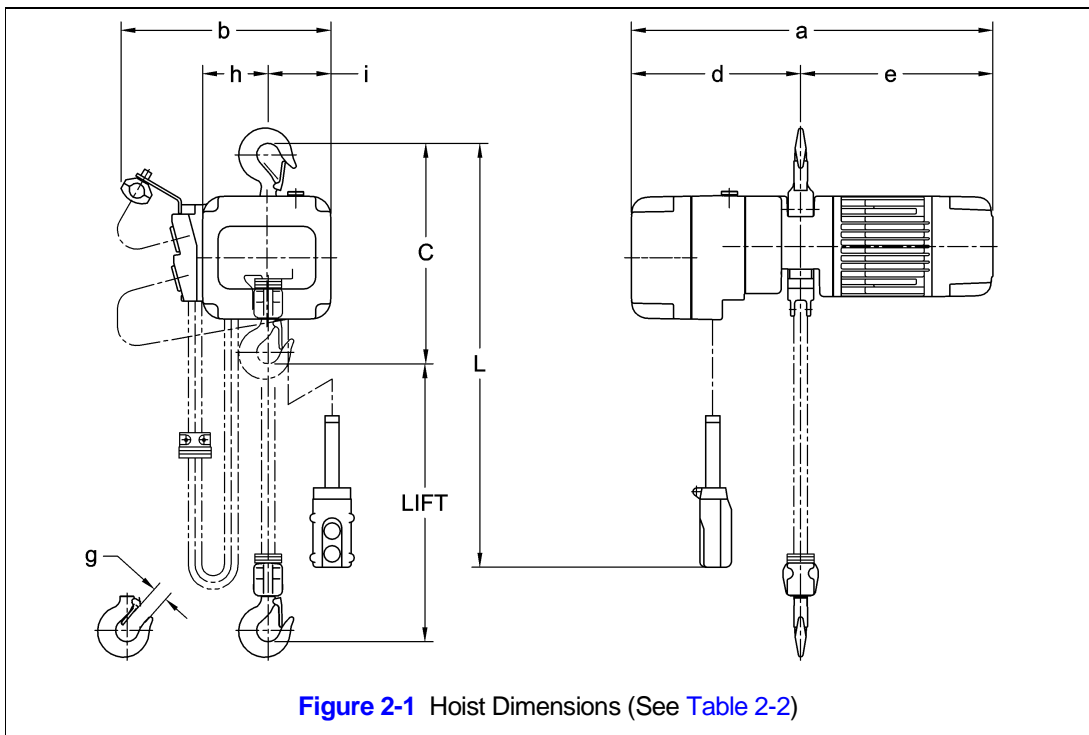
- Temperature range: -20° to +40°C (-4° to +104°F)
- Relative Humidity: 85% or less
- Enclosure Rating: Hoist Meets IP 55, Pendant Meets IP65
- Supply Voltage: Standard 115/230V-1-60 (Single Phase)
- Speed: Single
- ASME Duty Classification: H4
- Intermittent Duty Rating: 60% ED
- Maximum Number Starts per Hour: 360
- Short Time Duty Rating: 60 min.

**Table 2-1 Hoist Specifications**

Capacity (tonne)	Code	Lifting Speed (ft/min)	Motor			Load Chain Wire Diameter (mm) x Chain Fall Lines	Load Sheave Pockets	Net Weight (lbs)	Weight for One Addnl. FT. of Lift (lbs)
			Output (Hp)	Current Draw (amps)					
				115V	230V				
1/4	SER003S	14	0.34	7.7	3.9	5.0 x 1	5	82	0.37
1/2	SER005L	7				6.3 x 1	4	84	
1/2	SER005S	15	0.6	16.9	8.5	8.0 x 1	5	104	0.93
1	SER010L	7					4	110	
1	SER010S	14	1.2	23.9	12.0	10.0 x 1	5	159	1.5
2	SER020L	7					4	174	
3	SER030C	3.5					4	207	



## 2.2 Dimensions

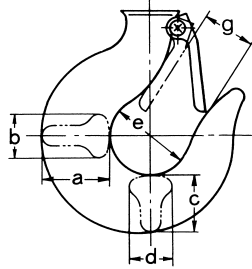


**Figure 2-1** Hoist Dimensions (See [Table 2-2](#))

Hoist Code	Minimum Headroom: C (in)	L* (ft)	a (in)	b (in)	d (in)	e (in)	g (in)	h (in)	i (in)
SER003S	13.8	8.2	22.2	13.0	10.4	11.9	0.9	4.0	3.9
SER005L	14.0	8.2							
SER005S	14.6	8.2	23.2	13.8	10.8	12.6		4.7	4.1
SER010L	16.1	8.2					1.2		
SER010S	17.3	8.2				26.9		16.5	12.6
SER020L	22.6	8.2	1.5						
SER030C	29.5	9.2		1.7	8.2		3.0		

\*The "L" dimensions are based on the standard lift of 10 feet.

**Table 2-3 Hook Dimension\***



T = Top Hook  
 B = Bottom Hook  
 Units = inch

Capacity Code	Hook	a	b	c	d	e	g
003S, 005L, 005S	T	1.1	0.7	0.9	0.7	1.4	1.1
	B	1.1	0.7	0.9	0.7	1.4	0.9
010L, 010S	T & B	1.4	0.9	1.2	0.9	1.7	1.2
020L	T & B	1.9	1.1	1.6	1.1	2.0	1.5
030C	T & B	2.2	1.4	1.9	1.4	2.4	1.7

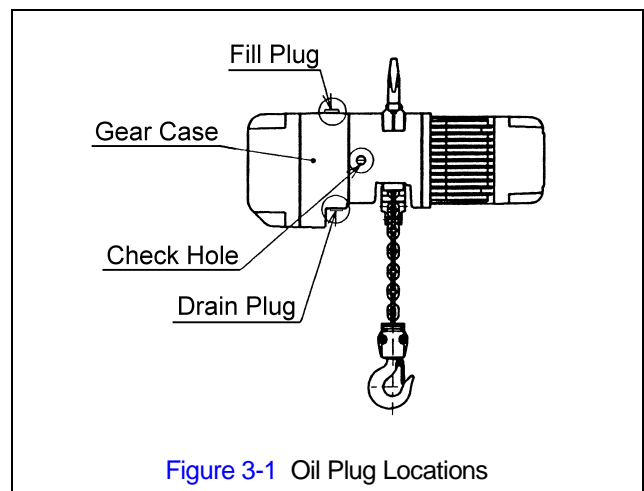
\*Refer to [Section 5.7](#) for inspection dimensions and limits.

## 3.0 Preoperational Procedures

### 3.1 Fill Gear Box with Oil

- 3.1.1 **⚠ CAUTION** DO NOT use any oil or quantity other than that listed below.
- 3.1.2 For a new hoist the correct quantity and type of oil is supplied with the hoist .
- 3.1.3 Refer to [Section 6.2](#) when replacing the gear oil or checking the gear oil level.

Capacity Code	litres
003S, 005L	0.7
005S, 010L	1.0
010S, 020L, 030C	1.7



**Figure 3-1** Oil Plug Locations

#### SER Gear Oil:

- Kito standard: Bonnoc M260 (NIPPON OIL)
- Acceptable equivalent: Meropa 320 (TEXACO)
- Acceptable equivalent: Meropa 320 (CALTEX)

### 3.2 Chain

- 3.2.1 The quantity and location of the chain components including cushion rubbers, chain springs and striker plates depend on the hoist model, capacity and limit switches. Never operate the hoist with incorrect, missing or damaged chain components. Refer to the hoist's nameplate, [Table 3-2](#), and [Figures 3-2, 3-3, and 3-4](#) and ensure that all chain components are in the correct location and properly installed.
- 3.2.2 When the hoist is used without a chain container, the free end of the chain is attached to the hoist body as shown in [Figure 3-4](#). Connect the no load end of the chain to Chain Guide A with the End Wire or End Suspender provided. Make sure the chain remains free of twists and the chain Stopper is installed on the correct link. Refer to [Table 3-2](#) for proper placement of Stopper.

Capacity Code	Without Chain Container	With Chain Container
003S, 005L, 005S, 010L, 010S, 020L, 030C	15 <sup>th</sup> link from the free end	3 <sup>rd</sup> link from the free end

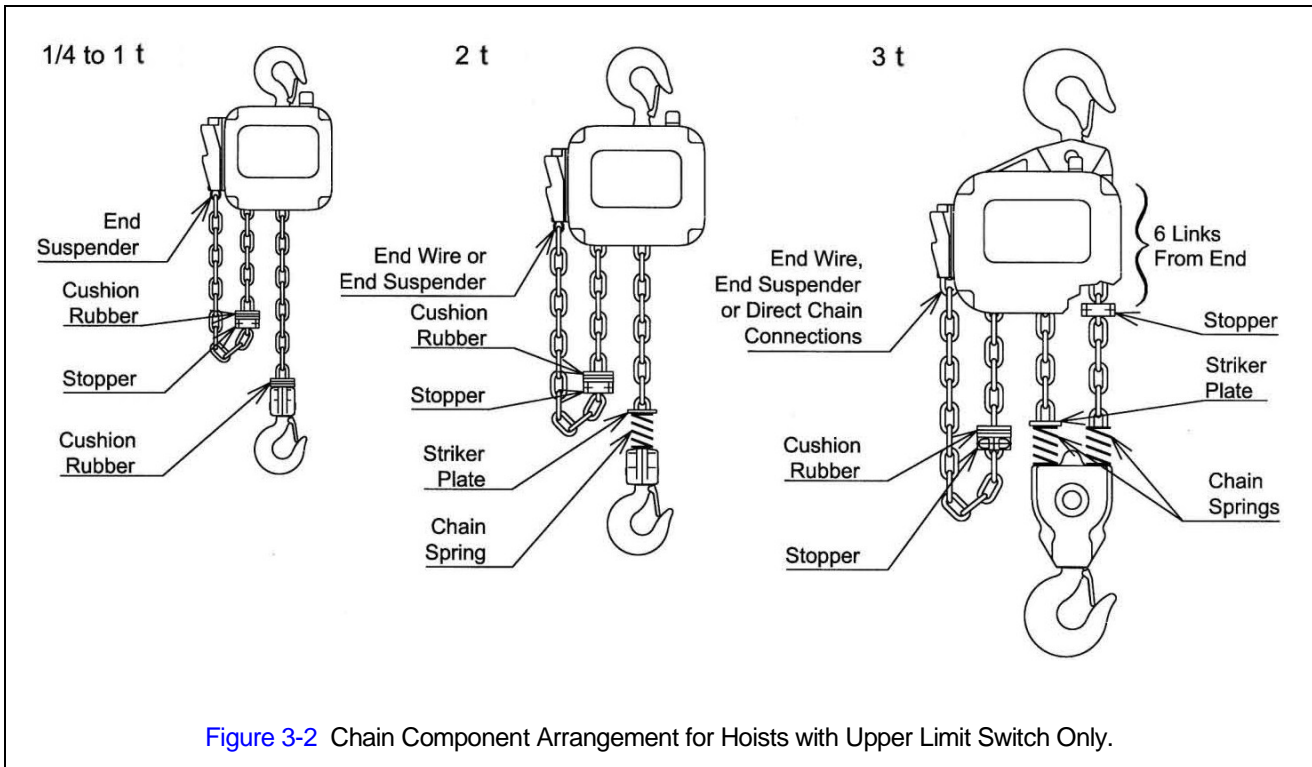


Figure 3-2 Chain Component Arrangement for Hoists with Upper Limit Switch Only.

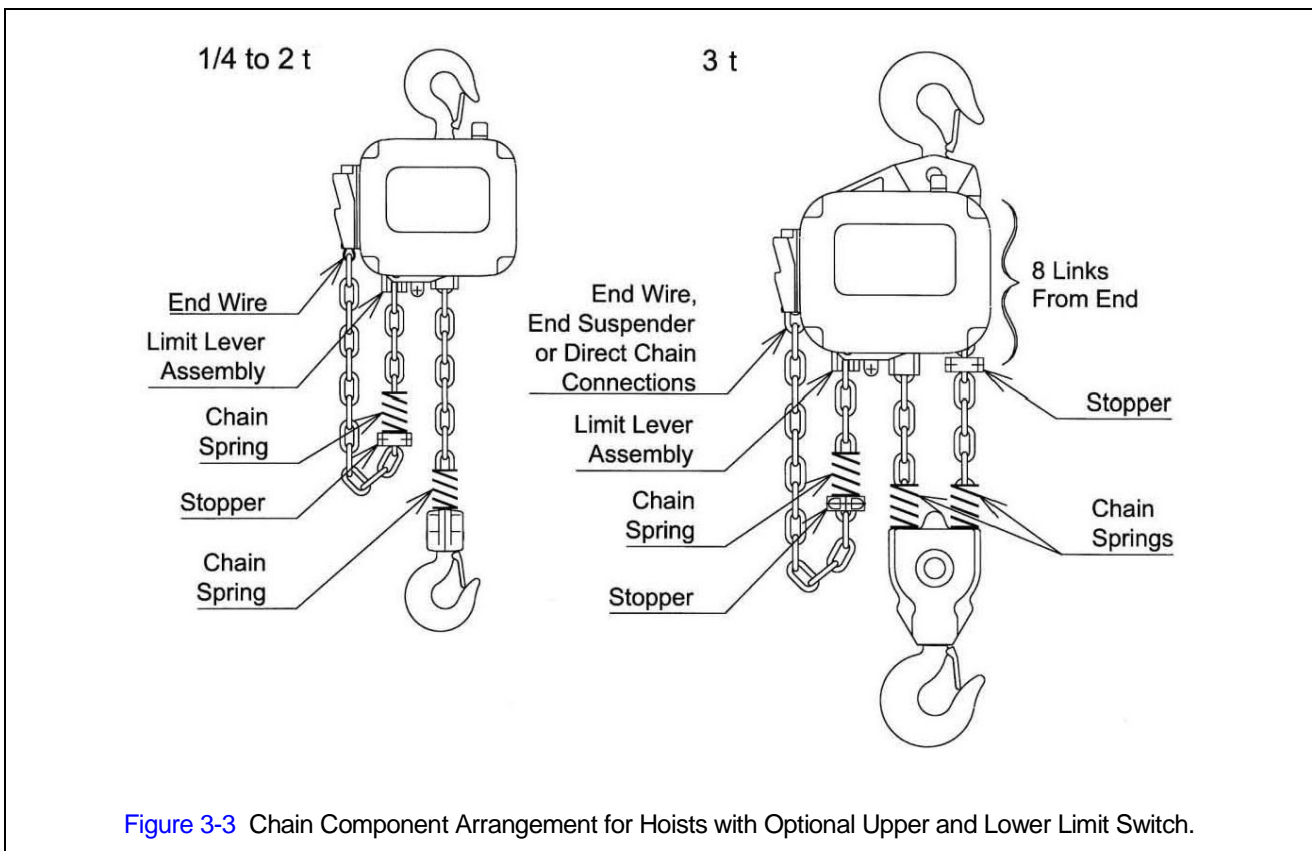
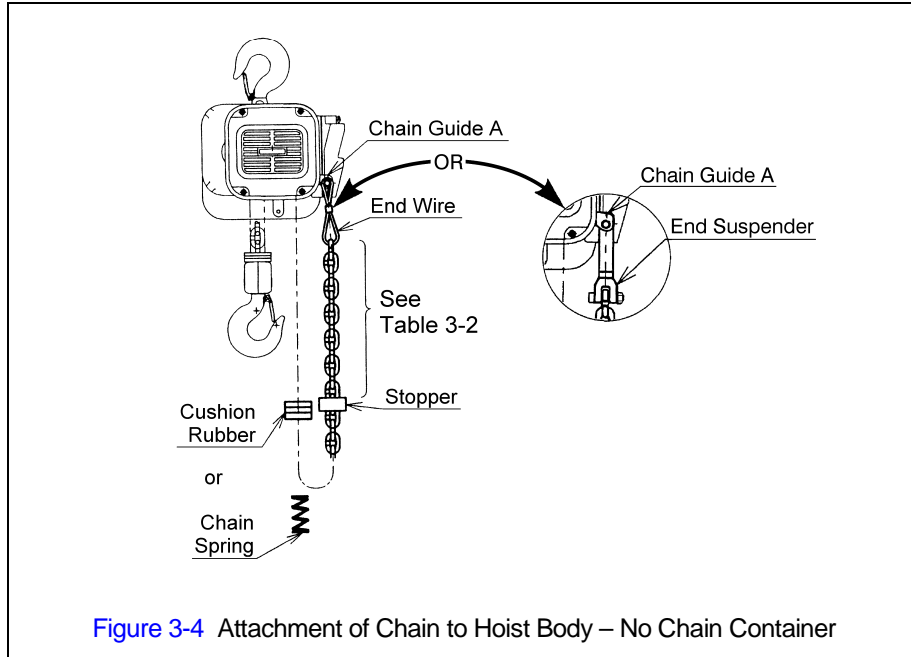
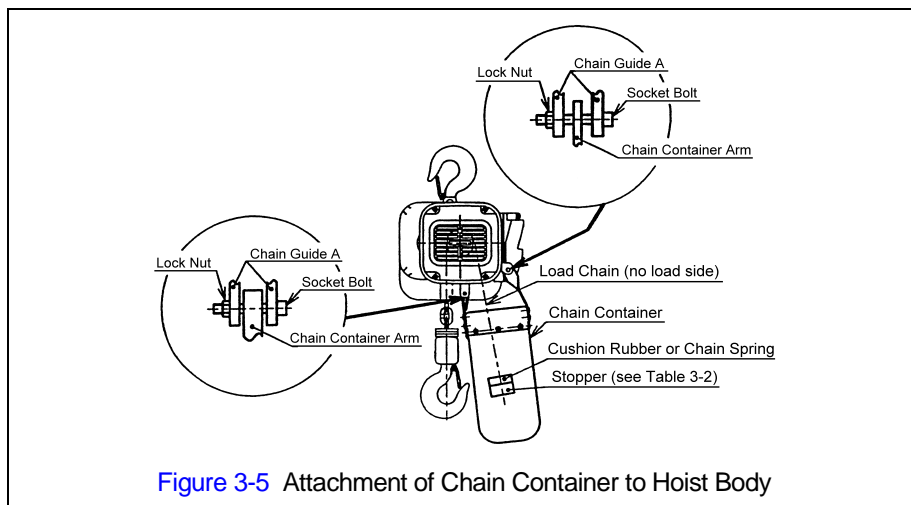


Figure 3-3 Chain Component Arrangement for Hoists with Optional Upper and Lower Limit Switch.



- 3.2.3 When the optional canvas chain container is used, unfold it fully and install it on the hoist body as shown in [Figure 3-5](#). In this case the free end of the chain is not attached to the hoist body and the chain stopper is installed on the third link from the free end. To place the chain into the chain container, feed the chain into the chain container beginning with the free end. Take care to avoid twisting or tangling the chain. NEVER put all the chain into the container at once. Lumped or twisted chain may:
- Upper Limit Switch Only - jam against the hoist body activating the friction clutch and potentially damaging the chain.
  - Upper and Lower Limit Switch (Optional) - activate the down limit switch and stop the hoist during lowering.

3.2.4 **⚠ CAUTION** Each chain container indicates the maximum length of the load chain that can be stored in the container. The amount of chain the container must hold is equal to the lift on the hoist. DO NOT use a chain container with a storage capacity less than the lift length on the hoist. If all of the chain can not be stored in the container, the limit switch will not operate properly.



3.2.5 When using an optional steel chain container, refer to the assembly drawing and instructions provided with the container for correct assembly and attachment.

3.2.6 **⚠️WARNING** Verify that the load chain is not twisted or tangled prior to operating the hoist. Make sure the bottom hook on 3 tonne double fall model is not capsized. See [Figures 3-6 and 3-7](#). Correct all chain irregularities before conducting the first hoist operation.

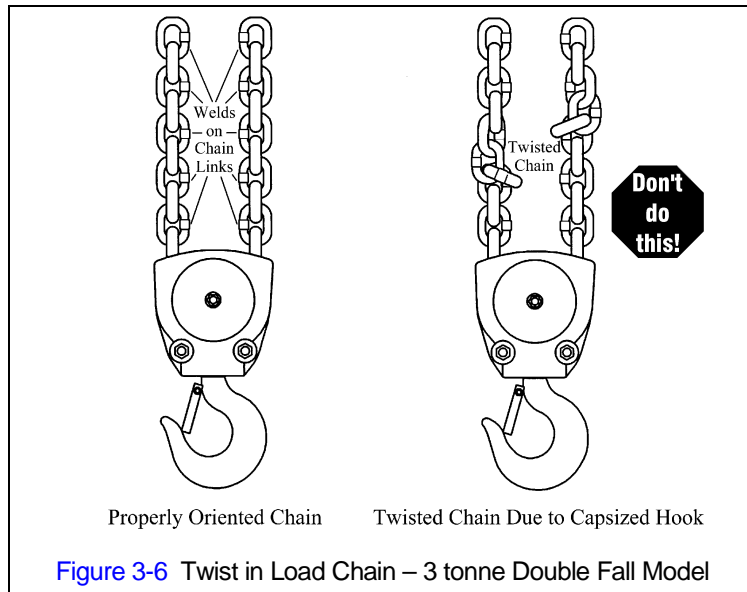


Figure 3-6 Twist in Load Chain – 3 tonne Double Fall Model

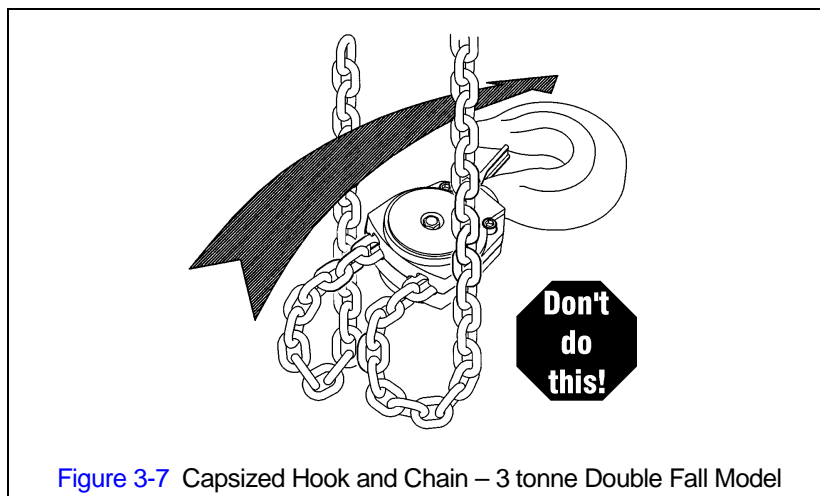


Figure 3-7 Capsized Hook and Chain – 3 tonne Double Fall Model

### 3.3 Mounting Location

3.3.1 **⚠️WARNING** Prior to mounting the hoist ensure that the suspension and its supporting structure are adequate to support the hoist and its loads. If necessary consult a professional that is qualified to evaluate the adequacy of the suspension location and its supporting structure.

3.3.2 **NOTICE** See [Section 6.6](#) for outdoor installation considerations.

### 3.4 Mounting the Hoist

- 3.4.1 Manual Trolley - Follow instructions in Owner's Manual provided with the trolley.
- 3.4.2 Motorized Trolley - Follow instructions in Owner's Manual provided with the trolley.
- 3.4.3 Hook Mounted to a Fixed Location - Attach the hoist's top hook to the fixed suspension point.

- 3.4.4 **⚠ WARNING** Ensure that the fixed suspension point rests on the center of the hook's saddle and that the hook's latch is engaged.

### 3.5 Electrical Connections

- 3.5.1 **⚠ CAUTION** Ensure that the voltage of the electric power supply is proper for the hoist or trolley.
- 3.5.2 **⚠ CAUTION** Do not apply variable speed control to the SER model hoist.
- 3.5.3 **⚠ DANGER** Before proceeding, ensure that the electrical supply for the hoist or trolley has been de-energized (disconnected). Lock out and tag out in accordance with ANSI Z244.1 "Personnel Protection -Lockout/Tagout of Energy Sources".
- 3.5.4 **⚠ WARNING** Make sure all power supply components (plugs, wires, breakers, fuses etc.) are adequately rated for the voltage and amperage draw of the hoist.
- 3.5.5 This instruction applies to installations where the hoist is installed hook mounted to a fixed suspension point or installed on a manual trolley. In this case the hoist is controlled by a pendant with two push buttons – one for raising and one for lowering. Refer to the appropriate trolley Owner's Manual if the hoist is installed on a motorized trolley.

#### Pendant Cord

The Pendant Cord connects to the hoist via a hard wire connection. Make the hardwire connection as follows:

- Refer to [Figure 3-8](#).
- Attach the UP pendant wire to terminal number 12 (Red hoist pendant wire).
- Attach the DOWN pendant wire to terminal number 11 (White hoist pendant wire).
- Attach the pendant COMMON wire to the upper most terminal number 14 (Black hoist pendant wire).
- Install the Cord Strain Relief Cable to the Cord Support on the bottom of the hoist as shown in [Figure 3-9](#).

#### Power Supply Cable

The Power Supply Cable connects to the hoist via a hard wire connection. Make the hard wire connection as follows:

- Refer to [Figure 3-8](#).
- Attach the Black power supply cable wire to terminal number 10 (Black hoist power supply wire).
- Attach the White power supply cable wire to terminal number 9 (White hoist power supply wire).
- Attach the Yellow/Green power supply cable wire to the ground screw on the hoist back panel.
- Install the Cable Support Arm (pre-installed on the Power Supply Cable) on to the Socket Holder using the pre-installed Machine Screws and Lock Washers as shown in [Figure 3-9](#).
- Use care to avoid twisting or kinking the Power Supply Cable.

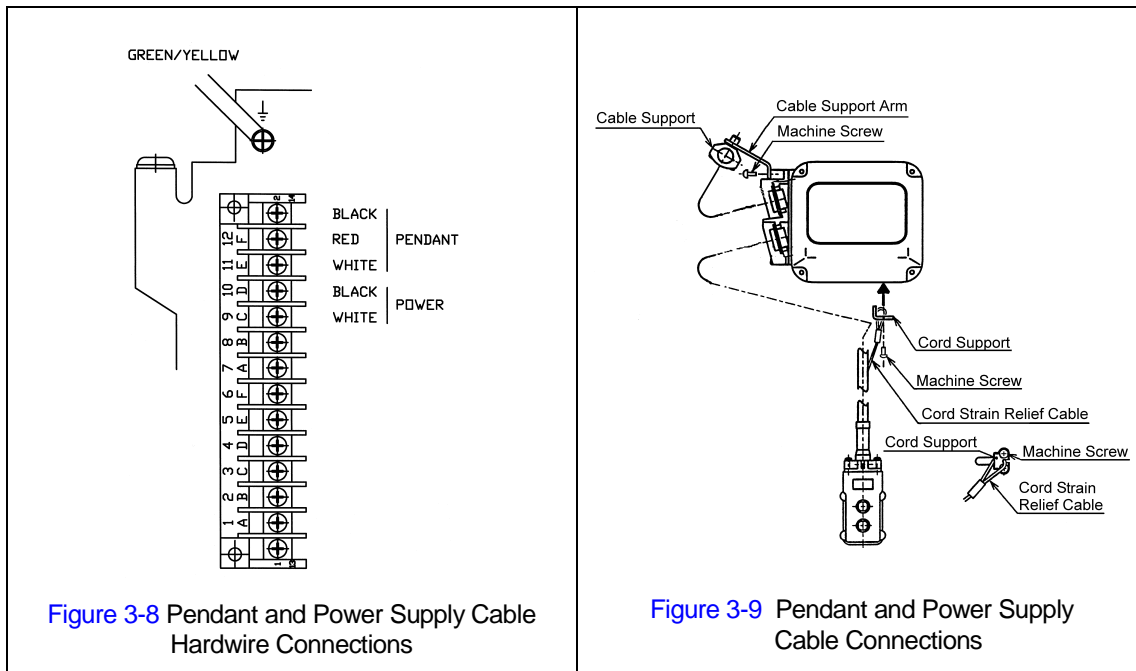


Figure 3-8 Pendant and Power Supply Cable Hardwire Connections

Figure 3-9 Pendant and Power Supply Cable Connections

### Power Supply Cable - Installation

If the hoist is hook mounted to a fixed support ensure that the Power Supply Cable is properly installed and supported between the hoist and the electrical power supply.

If the hoist is installed on a manual trolley, then the Power Supply Cable must be installed along the beam that the trolley runs on. For curved beams a special cable suspension system will be needed, and this instruction does not apply. For straight beams install the Power Supply Cable as follows:

- Install a guide wire system parallel to the beam.
- For a manual trolley the guide wire should be positioned slightly outside the hoist's Cable Support as shown in Figure 3-9.
- Use the Cable Trolleys supplied with the hoist to suspend the Power Supply Cable from the guide wire. Space the Cable Trolleys every 5 feet.

3.5.6 Connection to Electrical Power Source - The white and black wires of the Power Supply Cable should be connected to an Electric Power Disconnect Switch or Circuit Breaker. This connection should be made so that the hoist is phased properly. Refer to Section 3.6.11 for instructions on how to check for correct power supply phase connection.

3.5.7 Fuse/Breaker Capacity -The hoist's power supply should be equipped with overcurrent protection such as fuses, which should be selected for 110% to 120% of total listed full load amperage, and should be dual element time-delay fuses. Refer to the motor nameplate for the full load amperage draw.

3.5.8 **⚠ DANGER** Grounding - An improper or insufficient ground connection creates an electrical shock hazard when touching any part of the hoist or trolley. In the Power Supply Cable the ground wire will be either Green with Yellow stripe or solid Green. It should always be connected to a suitable ground connection. Do not paint the trolley wheel running surfaces of the beam as this can affect grounding.



### 3.6 Preoperational Checks and Trial Operation

- 3.6.1 **⚠ WARNING** Confirm the adequacy of the rated capacity for all slings, chains, wire ropes and all other lifting attachments before use. Inspect all load suspension members for damage prior to use and replace or repair all damaged parts.
- 3.6.2 **⚠ WARNING** Verify and correct all chain irregularities prior to operating the hoist. Refer to [Section 3.2](#).
- 3.6.3 Measure and record the “k” dimension of all hooks on hoist. See [Table 5-4](#) under [Section 5](#), “Inspection”.
- 3.6.4 Record the hoist's Model, Lot and Serial Number in the space provided on the cover of this manual.
- 3.6.5 Ensure that the hoist is properly installed to either a fixed point, or trolley, whichever applies.
- 3.6.6 If hoist is installed on a trolley, ensure that
- trolley is properly installed on the beam, and
  - stops for the trolley are correctly positioned and securely installed on the beam.
- 3.6.7 Ensure that all nuts, bolts and split pins (cotter pins) are sufficiently fastened.
- 3.6.8 Pull down on the Pendant and ensure that the Cord Strain Relief Cable takes the force, not the Pendant Cord.
- 3.6.9 **⚠ CAUTION** Check supply voltage before everyday use. If the voltage varies more than 10% of the rated value, electrical devices may not function normally.
- 3.6.10 Confirm proper operation.
- Before operating read and become familiar with [Section 4](#) - Operation.
  - Before operating ensure that the hoist (and trolley) meets the Inspection, Testing and Maintenance requirements of ANSI/ASME B30.16.
  - Before operating ensure that nothing will interfere with the full range of the hoist's (and trolley's) operation.
- 3.6.11 **⚠ WARNING** The hoist must be connected to the power source such that its direction of operation corresponds to the up-and-down commands issued from the pendant control; i.e. pushing the up button must cause the hoist to raise. If the hoist does not operate correctly, shut off and lockout /tagout the main power source to the hoist. Disconnect and switch the black and white input power leads at the power source to correct the hoist's motor phasing.

## 4.0 Operation

### 4.1 Introduction

#### **DANGER**

DO **NOT** WALK UNDER A SUSPENDED LOAD

#### **WARNING**

HOIST OPERATORS SHALL BE REQUIRED TO READ THE OPERATION SECTION OF THIS MANUAL, THE WARNINGS CONTAINED IN THIS MANUAL, INSTRUCTION AND WARNING LABELS ON THE HOIST OR LIFTING SYSTEM, AND THE OPERATION SECTIONS OF ANSI/ASME B30.16 and ANSI/ASME B30.10. THE OPERATOR SHALL ALSO BE REQUIRED TO BE FAMILIAR WITH THE HOIST AND HOIST CONTROLS BEFORE BEING AUTHORIZED TO OPERATE THE HOIST OR LIFTING SYSTEM.

HOIST OPERATORS SHOULD BE TRAINED IN PROPER RIGGING PROCEDURES FOR THE ATTACHMENT OF LOADS TO THE HOIST HOOK.

HOIST OPERATORS SHOULD BE TRAINED TO BE AWARE OF POTENTIAL MALFUNCTIONS OF THE EQUIPMENT THAT REQUIRE ADJUSTMENT OR REPAIR, AND TO BE INSTRUCTED TO STOP OPERATION IF SUCH MALFUNCTIONS OCCUR, AND TO IMMEDIATELY ADVISE THEIR SUPERVISOR SO CORRECTIVE ACTION CAN BE TAKEN.

HOIST OPERATORS SHOULD HAVE NORMAL DEPTH PERCEPTION, FIELD OF VISION, REACTION TIME, MANUAL DEXTERITY, AND COORDINATION.

HOIST OPERATORS SHOULD **NOT** HAVE A HISTORY OF OR BE PRONE TO SEIZURES, LOSS OF PHYSICAL CONTROL, PHYSICAL DEFECTS, OR EMOTIONAL INSTABILITY THAT COULD RESULT IN ACTIONS OF THE OPERATOR BEING A HAZARD TO THE OPERATOR OR TO OTHERS.

HOIST OPERATORS SHOULD **NOT** OPERATE A HOIST OR LIFTING SYSTEM WHEN UNDER THE INFLUENCE OF ALCOHOL, DRUGS, OR MEDICATION.

OVERHEAD HOISTS ARE INTENDED ONLY FOR VERTICAL LIFTING SERVICE OF FREELY SUSPENDED UNGUIDED LOADS. DO **NOT** USE HOIST FOR LOADS THAT ARE NOT LIFTED VERTICALLY, LOADS THAT ARE NOT FREELY SUSPENDED, OR LOADS THAT ARE GUIDED.

#### **NOTICE**

- Read ANSI/ASME B30.16 and ANSI/ASME B30.10.
- Read the hoist manufacturer's Operating and Maintenance Instructions.
- Read all labels attached to equipment.

The operation of an overhead hoist involves more than activating the hoist's controls. Per the ANSI/ASME B30 standards, the use of an overhead hoist is subject to certain hazards that cannot be mitigated by engineered features, but only by the exercise of intelligence, care, common sense, and experience in anticipating the effects and results of activating the hoist's controls. Use this guidance in conjunction with other warnings, cautions, and notices in this manual to govern the operation and use of your overhead hoist.

## 4.2 Shall's and Shall Not's for Operation

### **WARNING**

Improper operation of a hoist can create a potentially hazardous situation which, if not avoided, could result in death or serious injury, and substantial property damage. To avoid such a potentially hazardous situation **THE OPERATOR SHALL:**

- **NOT** lift more than rated load for the hoist.
- **NOT** operate unless load is centered under hoist.
- **NOT** use damaged hoist or hoist that is not working properly.
- **NOT** use hoist with twisted, kinked, damaged, or worn chain.
- **NOT** use hoist if the bottom hook is capsized (double fall hoists - see [Section 3.2](#)).
- **NOT** use the hoist to lift, support, or transport people.
- **NOT** lift loads over people.
- **NOT** apply load unless load chain is properly seated in the load sheave (and idle sheave for hoist with two chain falls).
- **NOT** use the hoist in such a way that could result in shock or impact loads being applied to the hoist.
- **NOT** attempt to lengthen the load chain or repair damaged load chain.
- **NOT** operate hoist when it is restricted from forming a straight line from hook to hook in the direction of loading.
- **NOT** use load chain as a sling or wrap load chain around load.
- **NOT** apply the load to the tip of the hook or to the hook latch.
- **NOT** apply load if binding prevents equal loading on all load-supporting chains.
- **NOT** operate beyond the limits of the load chain travel.
- **NOT** operate hoist with missing/damaged chain springs, cushion rubbers, stoppers or striker plates.
- **NOT** leave load supported by the hoist unattended unless specific precautions have been taken.
- **NOT** allow the chain, or hook to be used as an electrical or welding ground.
- **NOT** allow the chain, or hook to be touched by a live welding electrode.
- **NOT** remove or obscure the warnings on the hoist.
- **NOT** operate a hoist on which the safety placards or decals are missing or illegible.
- Be familiar with operating controls, procedures, and warnings.
- Make sure the unit is securely attached to a suitable support before applying load.
- Make sure load slings or other approved single attachments are properly sized, rigged, and seated in the hook saddle.
- Take up slack carefully - make sure load is balanced and load-holding action is secure before continuing.
- Make sure all persons stay clear of the supported load.
- Protect the hoist's load chain from weld splatter or other damaging contaminants.
- Report malfunctions or unusual performances (including unusual noises) of the hoist and remove the hoist from service until the malfunction or unusual performance is resolved.
- Make sure hoist limit switches function properly.
- Warn personnel before lifting or moving a load.
- Warn personnel of an approaching load.

## **⚠ CAUTION**

Improper operation of a hoist can create a potentially hazardous situation which, if not avoided, could result in minor or moderate injury, or property damage. To avoid such a potentially hazardous situation **THE OPERATOR SHALL:**

- Maintain a firm footing or be otherwise secured when operating the hoist.
- Check brake function by tensioning the hoist prior to each lift operation.
- Use hook latches. Latches are to retain slings, chains, etc. under slack conditions only.
- Make sure the hook latches are closed and not supporting any parts of the load.
- Make sure the load is free to move and will clear all obstructions.
- Avoid swinging the load or hook.
- Make sure hook travel is in the same direction as shown on controls.
- Inspect the hoist regularly, replace damaged or worn parts, and keep appropriate records of maintenance.
- Use the hoist manufacturer's recommended parts when repairing the unit.
- Lubricate load chain per hoist manufacturer's recommendations.
- **NOT** use the hoist load limiting or warning device to measure load.
- **NOT** use limit switches as routine operating stops. They are emergency devices only.
- **NOT** allow your attention to be diverted from operating the hoist.
- **NOT** allow the hoist to be subjected to sharp contact with other hoists, structures, or objects through misuse.
- **NOT** adjust or repair the hoist unless qualified to perform such adjustments or repairs.

### 4.3 Hoist Controls

- 4.3.1 For hoists mounted to motorized trolleys follow the control instruction included in the trolley's Owner's Manual.
- 4.3.2 Pendant Control – When using the pendant control depress the up button to raise the hoist or the down button to lower the hoist as shown in [Figure 4-1](#) below. To stop motion release the buttons.
- 4.3.3 **⚠ CAUTION** Make sure the motor completely stops before reversing direction.

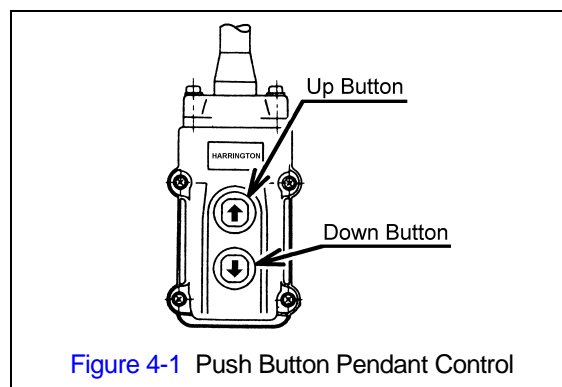


Figure 4-1 Push Button Pendant Control

## 5.0 Inspection

### 5.1 General

- 5.1.1 The inspection procedure herein is based on ANSI/ASME B30.16. The following definitions are from ANSI/ASME B30.16 and pertain to the inspection procedure below.
- **Designated Person** – a person selected or assigned as being competent to perform the specific duties to which he/she is assigned.
  - **Qualified Person** – a person who, by possession of a recognized degree or certificate of professional standing, or who, by extensive knowledge, training, and experience, has successfully demonstrated the ability to solve or resolve problems relating to the subject matter and work.
  - **Normal Service** – that distributed service which involves operation with randomly distributed loads within the rated load limit, or uniform loads less than 65% of rated load for not more than 25% of the time.
  - **Heavy Service** – that service which involves operation within the rated load limit which exceeds normal service.
  - **Severe Service** – that service which involves normal or heavy service with abnormal operating conditions.

### 5.2 Inspection Classification

- 5.2.1 Initial Inspection – prior to initial use, all new, altered, or modified hoists shall be inspected by a designated person to ensure compliance with the applicable provisions of this manual.
- 5.2.2 Inspection Classification – the inspection procedure for hoists in regular service is divided into two general classifications based upon the intervals at which inspection should be performed. The intervals in turn are dependent upon the nature of the critical components of the hoist and the degree of their exposure to wear, deterioration, or malfunction. The two general classifications are herein designated as FREQUENT and PERIODIC, with respective intervals between inspections as defined below.
- 5.2.3 FREQUENT Inspection – visual examinations by the operator or other designated personnel with intervals per the following criteria:
- Normal service – monthly
  - Heavy service – weekly to monthly
  - Severe service – daily to weekly
  - Special or infrequent service – as recommended by a qualified person before and after each occurrence.
- 5.2.4 PERIODIC Inspection – visual inspection by a designated person with intervals per the following criteria:
- Normal service – yearly
  - Heavy service – semiannually
  - Severe service – quarterly
  - Special or infrequent service – as recommended by a qualified person before the first such occurrence and as directed by the qualified person for any subsequent occurrences.

### 5.3 Frequent Inspection

5.3.1 Inspections should be made on a FREQUENT basis in accordance with [Table 5-1](#), “Frequent Inspection.” Included in these FREQUENT Inspections are observations made during operation for any defects or damage that might appear between Periodic Inspections. Evaluation and resolution of the results of FREQUENT Inspections shall be made by a designated person such that the hoist is maintained in safe working condition.

<b>Table 5-1 Frequent Inspection</b>
All functional operating mechanisms for maladjustment and unusual sounds.
Operation of limit switch and associated components
Hoist braking system for proper operation
Hooks in accordance with ANSI/ASME B30.10
Hook latch operation
Load chain in accordance with <a href="#">Section 5.7</a>
Load chain reeving for compliance with <a href="#">Section 3.2 and 6.4</a>

### 5.4 Periodic Inspection

5.4.1 Inspections should be made on a PERIODIC basis in accordance with [Table 5-2](#), “Periodic Inspection.” Evaluation and resolution of the results of PERIODIC Inspections shall be made by a designated person such that the hoist is maintained in safe working condition.

5.4.2 For inspections where load suspension parts of the hoist are disassembled, a load test per ANSI/ASME B30.16 must be performed on the hoist after it is re-assembled and prior to its return to service.

<b>Table 5-2 Periodic Inspection</b>
Requirements of frequent inspection.
Evidence of loose bolts, nuts, or rivets.
Evidence of worn, corroded, cracked, or distorted parts such as load blocks, suspension housing, chain attachments, clevises, yokes, suspension bolts, shafts, gears, bearings, pins and rollers.
Evidence of damage to hook retaining nuts or collars and pins, and welds or rivets used to secure the retaining members.
Evidence of damage or excessive wear of load and idler sheaves.
Evidence of excessive wear on motor or load brake.
Electrical apparatus for signs of pitting or any deterioration of visible controller contacts.
Evidence of damage of supporting structure or trolley, if used.
Function labels on pendant control stations for legibility.
Warning label properly attached to the hoist and legible (see <a href="#">Section 1.2</a> ).
End connections of load chain.

## 5.5 Occasionally Used Hoists

5.5.1 Hoists that are used infrequently shall be inspected as follows prior to placing in service:

- Hoist Idle More Than 1 Month, Less Than 1 Year: Inspect per FREQUENT Inspection criteria in [Section 5.3](#).
- Hoist Idle More Than 1 Year: Inspect per PERIODIC Inspection criteria in [Section 5.4](#).

## 5.6 Inspection Records

5.6.1 Dated inspection reports and records should be maintained at time intervals corresponding to those that apply for the hoist's PERIODIC interval per [Section 5.2.4](#). These records should be stored where they are available to personnel involved with the inspection, maintenance, or operation of the hoist.

5.6.2 A long range chain inspection program should be established and should include records of examination of chains removed from service so a relationship can be established between visual observation and actual condition of the chain.

## 5.7 Inspection Methods and Criteria

5.7.1 This section covers the inspection of specific items. The list of items in this section is based on those listed in ANSI/ASME B30.16 for the Frequent and Periodic Inspection. In accordance with ANSI/ASME B30.16, these inspections are not intended to involve disassembly of the hoist. Rather, disassembly for further inspection would be required if frequent or periodic inspection results so indicate. Such disassembly and further inspection should only be performed by a qualified person trained in the disassembly and re-assembly of the hoist.

Item	Method	Criteria	Action
Functional operating mechanisms.	Visual, Auditory	Mechanisms should be properly adjusted and should not produce unusual sounds when operated.	Repair or replace as required.
Limit Switch	Function	Proper operation. Actuation of limit switch should stop hoist.	Repair or replace as required.
Limit Lever Assembly	Visual, Function	Lever should not be bent or significantly worn and should be able to move freely.	Replace.
Braking System Operation	Function	Braking distance with rated capacity should not exceed 3% of the lifting speed (approximately two chain links).	Repair or replace as required.
Hooks - Surface Condition	Visual	Should be free of significant rust, weld splatter, deep nicks, or gouges.	Replace.
Hooks - Fretting wear	Measure	The "u" and "t" dimensions should not be less than discard value listed in <a href="#">Table 5-4</a>	Replace.
Hooks - Stretch	Measure	The "k" dimension should not be greater than 1.15 times that measured and recorded at the time of purchase (See <a href="#">Section 3.6</a> ). If recorded "k" values are not available for hooks when new, use nominal "k" values from <a href="#">Table 5-4</a> .	Replace.
Hooks - Bent Shank or Neck	Visual	Shank and neck portions of hook should be free of deformations.	Replace.

**Table 5-3 Hoist Inspection Methods and Criteria**

Item	Method	Criteria	Action
Hooks - Yoke Assembly	Visual	Should be free of significant rust, weld splatter, nicks, gouges. Holes should not be elongated, fasteners should not be loose, and there should be no gap between mating parts.	Tighten or replace as required.
Hooks - Swivel Bearing	Visual, Function	Bearing parts and surfaces should not show significant wear, and should be free of dirt, grime and deformations. Hook should rotate freely with no roughness.	Clean/lubricate, or replace as required.
Hooks - Idle Sheave and Axle (Bottom Hook on Double Fall Hoist)	Visual, Function	Pockets of Idle Sheave should be free of significant wear. Idle Sheave surfaces should be free of nicks, gouges, dirt and grime. Bearing parts and surfaces of Idle Sheave and Axle should not show significant wear. Idle Sheave should rotate freely with no roughness or significant free play.	Clean/lubricate, or replace as required.
Hooks - Hook Latches	Visual, Function	Latch should not be deformed. Attachment of latch to hook should not be loose. Latch spring should not be missing and should not be weak. Latch movement should not be stiff - when depressed and released latch should snap smartly to its closed position.	Replace.
Load Chain - Surface Condition	Visual	Should be free of rust, nicks, gouges, dents and weld splatter. Links should not be deformed, and should not show signs of abrasion. Surfaces where links bear on one another should be free of significant wear.	Replace.
Load Chain - Pitch and Wire Diameter	Measure	The "P" dimension should not be greater than maximum value listed in <a href="#">Table 5-5</a> . The "d" dimension should not be less than minimum value listed in <a href="#">Table 5-5</a> .	Replace. Inspect Load Sheave (and Idle Sheave for double fall hoist).
Load Chain - Lubrication	Visual, Auditory	Entire surface of each chain link should be coated with lubricant and should be free of dirt and grime. Chain should not emit cracking noise when hoisting a load.	Clean/lubricate (see <a href="#">Section 6.0</a> ).
Load Chain - Reeving	Visual	Chain should be reeved properly through Load Sheave (and Idle Sheave for double fall hoist) - refer to <a href="#">Section 6.3</a> . Chain, Chain Springs, Cushion Rubbers, Striker Plates, and Stoppers should be installed properly - refer to <a href="#">Section 3.2</a> .	Reeve/Install chain properly.
Chain Container (optional)	Visual	Container should not be damaged. Brackets should not be deformed or missing.	Replace.
Housing and Mechanical Components	Visual, Auditory, Vibration, Function	Hoist components including load blocks, suspension housing, chain attachments, clevises, yokes, suspension bolts, shafts, gears, bearings, pins and rollers should be free of cracks, distortion, significant wear and corrosion. Evidence of same can be detected visually or via detection of unusual sounds or vibration during operation.	Replace.



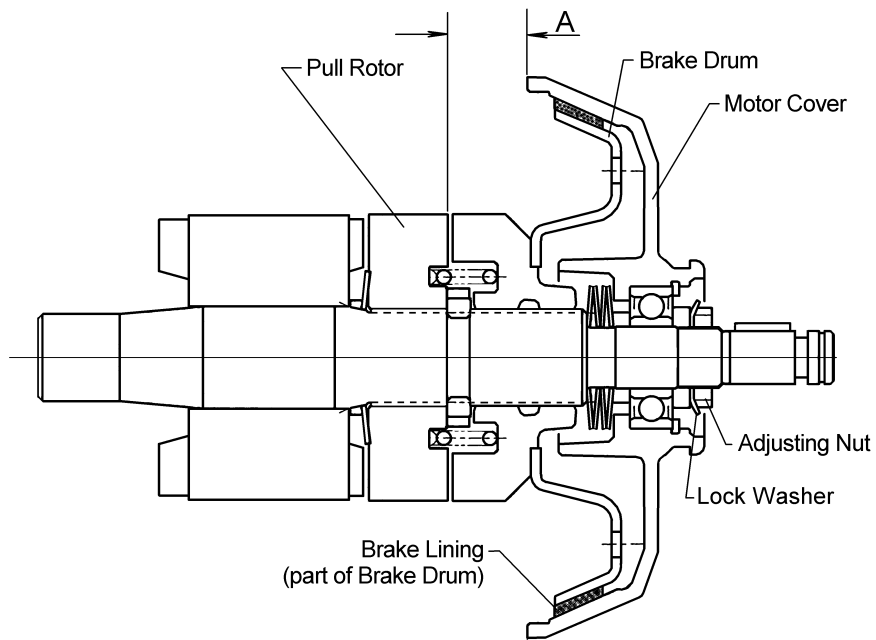
<b>Table 5-3 Hoist Inspection Methods and Criteria</b>			
<b>Item</b>	<b>Method</b>	<b>Criteria</b>	<b>Action</b>
Bolts, Nuts and Rivets	Visual, Check with Proper Tool	Bolts, nuts and rivets should not be loose.	Tighten or replace as required.
Motor Brake	Measure, Visual	Motor brake gap should be adjusted to the distance shown in <a href="#">Table 6-2</a> before measuring the brake wear. Brake lining dimension "A" should not be less than discard value listed in <a href="#">Table 5-6</a> . Refer to <a href="#">Section 6.2</a> for gaining access to motor brake and for adjustment and inspection procedures. Braking surfaces should be clean, free of grease/oil and should not be glazed.	Adjust, Repair or Replace as required.
Contactors Contacts	Visual	Contacts should be free of significant pitting or deterioration.	Replace.
Load Sheave	Visual	Pockets of Load Sheave should be free of significant wear.	Replace.
Cushion Rubber	Visual	Should be free of significant deformation.	Replace.
Chain Springs	Visual	Chain springs should be not be deformed or compressed.	Replace.
Pendant - Switches	Function	Depressing and releasing push-buttons should make and break contacts in switch contact block and result in corresponding electrical continuity or open circuit. Push-buttons should be interlocked either mechanically or electrically to prevent simultaneous energization of circuits for opposing motions (e.g. up and down).	Repair or replace as necessary.
Pendant - Housing	Visual	Pendant housing should be free of cracks and mating surfaces of parts should seal without gaps.	Replace.
Pendant - Wiring	Visual	Wire connections to switches in pendant should not be loose or damaged.	Tighten or repair
Pendant - Cord	Visual, Electrical Continuity	Surface of cord should be free from nicks, gouges, and abrasions. Each conductor in cord should have 100% electrical continuity even when cord is flexed back-and-forth. Pendant Cord Strain Relief Cable should absorb all of the load associated with forces applied to the pendant.	Replace.
Pendant - Labels	Visual	Labels denoting functions should be legible.	Replace.
Warning Labels	Visual	Warning Labels should be affixed to the hoist (see <a href="#">Section 1.2</a> ) and they should be legible.	Replace.
Hoist Capacity Label	Visual	The label that indicates the capacity of the hoist should be legible and securely attached to the hoist.	Replace.

Table 5-4 Top Hook & Bottom Hook Dimensions					
"k" Measured When New: Top: _____ Bottom: _____					
Capacity Code	Nominal "k" Dimension* inch (mm)	"u" Dimension inch (mm)		"t" Dimension inch (mm)	
		Standard	Discard	Standard	Discard
003S, 005L, 005S	1.65 (42)	0.93 (23.5)	0.83 (21)	0.69 (17.5)	0.63 (16)
010L, 010S	1.97 (50)	1.22 (31)	1.10 (28)	0.89 (22.5)	0.79 (20)
020L	2.46 (62.5)	1.57 (40)	1.42 (36)	1.14 (29)	1.02 (26)
030C	2.95 (75)	1.87 (47.5)	1.69 (43)	1.36 (34.5)	1.22 (31)

\*These values are nominal since the dimension is not controlled to a tolerance. The "k" dimension should be measured when the hook is new - this becomes a reference measurement. Subsequent measurements are compared to this reference to make determinations about hook deformation/stretch. See Section 5.7, "Hooks - Stretch".

Table 5-5 Chain Wear Dimensions				
Capacity Code	"P" Dimension inch (mm)		"d" Dimension inch (mm)	
	Standard	Discard	Standard	Discard
003S	2.97 (75.5)	3.02 (76.6)	0.22 (5.0)	0.18 (4.5)
005L, 005S	3.76 (95.5)	3.82 (96.9)	0.25 (6.3)	0.22 (5.7)
010L, 010S	4.76 (121.0)	4.91 (124.6)	0.31 (8.0)	0.28 (7.2)
020L, 030C	5.96 (151.5)	6.05 (153.8)	0.39 (10.0)	0.35 (9.0)

**Table 5-6 Motor Brake Wear Dimensions**



**NOTICE**

Brake must be properly adjusted before measuring "A". See [Section 6.2](#)

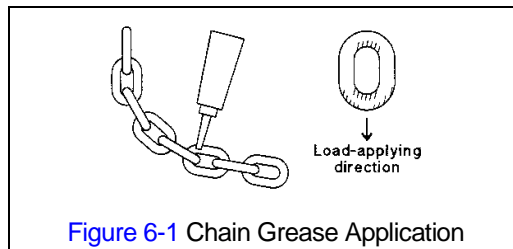
Capacity Code	"A" Dimension - inch (mm)	
	Standard	Discard
003S, 005L	0.67 (17)	0.61 (15.5)
005S, 010L	0.85 (21.5)	0.79 (20)
010S, 020L, 030C	0.89 (22.5)	0.83 (21)

## 6.0 Maintenance and Handling

### 6.1 Lubrication

#### 6.1.1 Load Chain

- For longer life, the load chain should be lubricated.
- The load chain lubrication should be accomplished after cleaning the load chain with an acid free cleaning solution.
- Apply Kito lubricating grease (Part No. E2R1951-001H) or an equivalent to industrial general lithium grease, NLGI No. 0, to the bearing surfaces of the load chain links as indicated by the shaded areas in [Figure 6-1](#). Also apply the grease to the areas of the load chain (shaded areas in [Figure 6-1](#)) that contact the load sheave. Insure that the grease is applied to the contact areas in the load sheave pockets.
- Machine or gear oil (grade ISO VG 46 or 68 oil or equivalent) may be used as an alternative lubricant but must be applied more frequently.



- The chain should be lubricated every 3 months (more frequently for heavier usage or severe conditions).
- For dusty environments, it is acceptable to substitute a dry lubricant.

#### 6.1.2 Hooks and Suspension Components:

- Hooks - Bearings should be cleaned and lubricated at least once per year for normal usage. Clean and lubricate more frequently for heavier usage or severe conditions.
- Suspension Pins - Lubricate at least twice per year for normal usage; more frequently for heavier usage or severe conditions.

#### 6.1.3 Gear Box:

- **⚠ WARNING** Using an incorrect type/grade of gearbox oil or the wrong quantity of oil may prevent the friction clutch from working properly and may affect the ability of the hoist to hold the load. Refer to [Section 3.1](#) for the correct oil and quantity.
- The oil level can be checked using the oil check hole on the side of the hoist body shown in [Figure 3-1](#). The oil level should be in accordance with [Table 6-1](#) below.

<b>Table 6-1 Criteria for Checking Hoist Gear Oil Level</b>		
<b>Capacity Code</b>	<b>Oil Level (Hoist at level position)</b>	
	<b>Min</b>	<b>Max</b>
Up to and including 010L	½ " below bottom edge of check hole	Even with bottom edge of check hole.
010S and Up	1" below bottom edge of check hole	Even with bottom edge of check hole.

- Change gear oil at least once every 5 years. The oil should be changed more frequently depending on the hoist's usage and operating environment.
- Refer to [Figure 3-1](#) and [Table 3-1](#) to change the gear oil, remove both fill and drain plugs and allow the old oil to drain completely. Replace the drain plug and refill the gear case with the correct quantity of new oil or until the oil level is within the range shown in [Table 6-1](#).
- **NOTICE** Dispose of the used oil in accordance with local regulations.

## 6.2 Motor Brake

6.2.1 To keep your hoist working in optimum condition and prevent possible down time, it is recommended to check your motor brake lining and adjustment at regular intervals.

6.2.2 Motor Brake Unit Removal - Adjustment and inspection of the motor brake requires removal of the motor brake unit from the hoist as an assembly.

- 1) **CAUTION** Before proceeding disconnect the power supply and make sure the hoist is unloaded. To keep the load chain from moving, secure it by tying together the load and no-load sides directly under the hoist using a cord or wire.
- 2) Refer to [Figure 6-2](#).
- 3) Remove the four Fan Cover bolts (A), Fan Cover (B), Fan snap ring (C), and Fan washer (D).
- 4) Pull the Fan (E) off the motor shaft using a wheel puller if necessary.
- 5) Remove the four Motor Cover Assembly bolts (F) and carefully pull the motor brake unit (G) out of the hoist.

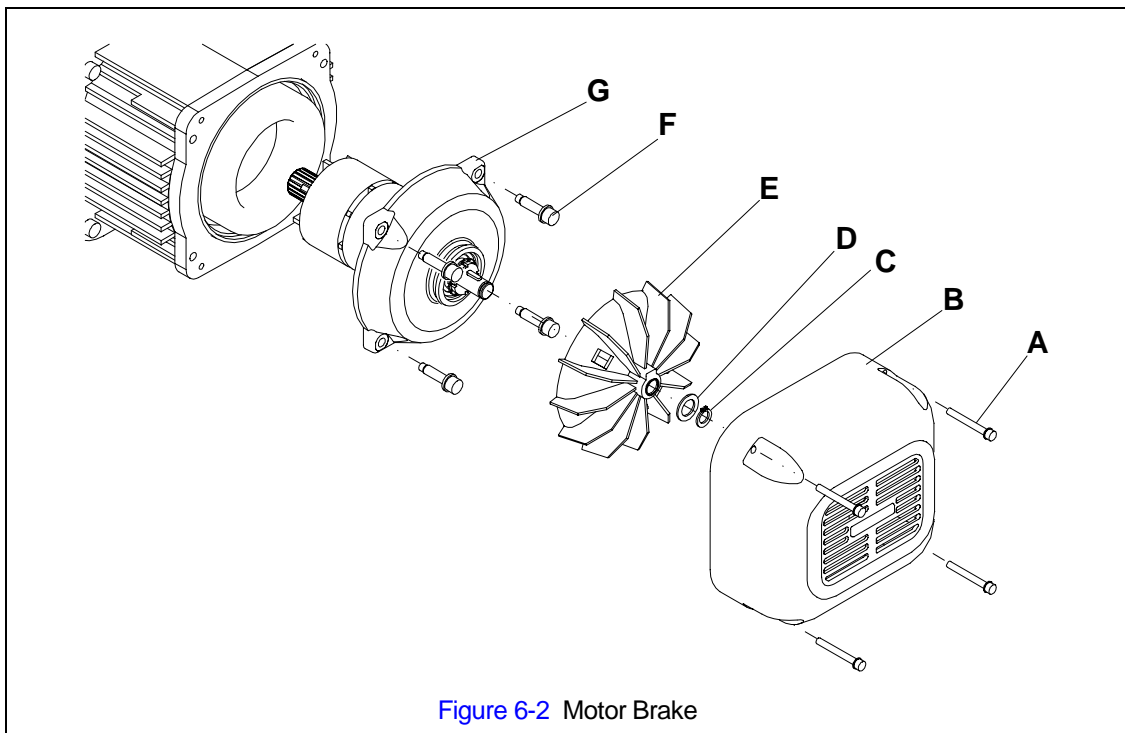


Figure 6-2 Motor Brake

6.2.3 Brake Gap (G) - The Brake Gap should be measured between the Brake Drum and Pull Rotor. Adjustment of the Brake Gap is accomplished by turning the Adjustment Nut in the center of the Motor Cover as shown in the figure with [Table 6-2](#). Do this as follows:

- 1) Bend the tab of the Lock Washer away from the Adjusting Nut so that the Adjusting Nut can be rotated.
- 2) Using a spanner wrench and a feeler gauge, rotate the Adjusting Nut to attain the proper Brake Gap per [Table 6-2](#).
- 3) After the Brake Gap is set, secure the Adjusting Nut by bending one of the tabs of the Lock Washer into a slot in the Adjusting Nut. If necessary rotate the Adjusting Nut clockwise (tightening) to line up the tab with the slot.
- 4) If the proper brake adjustment cannot be achieved, disassemble the motor brake and inspect all motor brake parts. Replace the Brake Drum and/or Motor Cover if necessary.

<b>Table 6-2 Motor Brake Gap</b>	
Capacity Code	Brake Gap (G) inch (mm)
003S, 005L, 005S, 010L, 010S, 020L, 030C	0.020 (0.5)

6.2.4 Brake Lining Inspection –The brake lining is designed for a long life and should provide years of trouble-free service. If the brake lining is being inspected due to excessive load chain drift during operation (see [Section 5.7](#)), disassemble the motor brake and inspect all motor brake parts. Braking surfaces should be clean, free of grease/oil and should not be glazed. Replace the Brake Drum and/or Motor Cover if necessary. For normal inspections, the Brake Lining and Motor Cover wear should be measured as follows.

- 1) Adjust the Brake Gap per [Section 6.2.3](#) before measuring the Brake Lining and Motor Cover wear.
- 2) Refer to [Table 5-6](#).
- 3) Measure the distance "A" using calipers and a straight edge. Place the straight edge across the edge of the motor cover and measure from the straight edge to the face of the Pull Rotor.
- 4) Compare the measurement with the values listed in [Table 5-6](#). Replace the Brake Drum and/or Motor Cover if the "A" measurement is smaller than the discard limit.

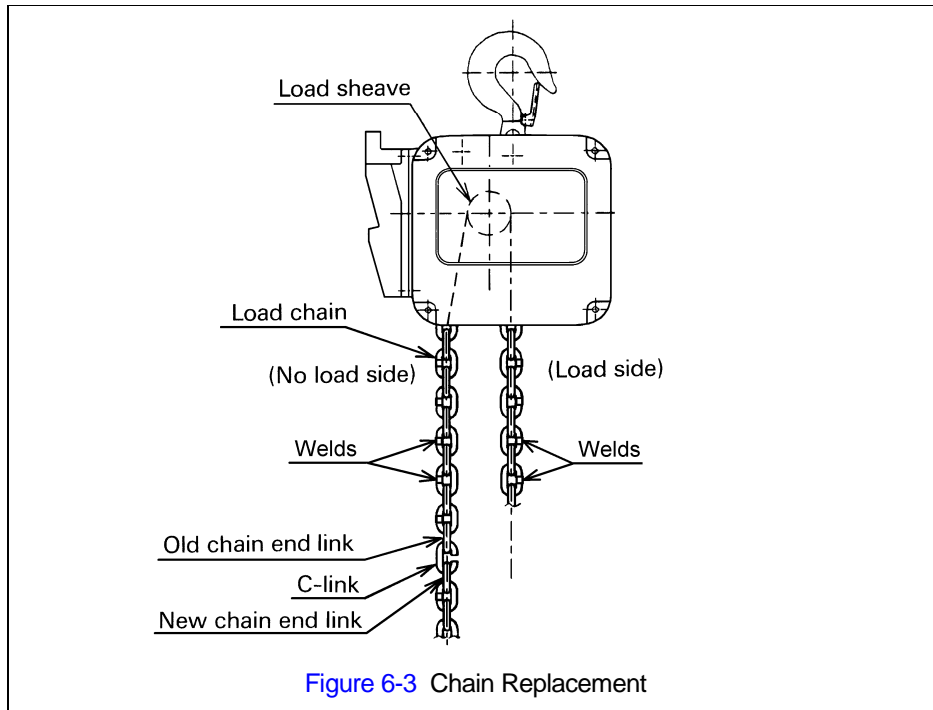
- 6.2.5 Motor Brake Unit Installation - After the brake is properly adjusted and inspected, carefully replace the motor brake unit back into the hoist. Be sure to reseal the Motor Cover to motor frame surface using a small bead of liquid (hi-temperature) sealant. Refer to [Section 6.2.2](#) and reassemble the parts in reverse order of removal.

## 6.3 Load Chain

- 6.3.1 Lubrication and Cleaning – refer to [Section 6.1](#).

- 6.3.2 Load Chain Replacement:

- 1) **⚠ CAUTION** The hoist must be properly powered and operational in order to perform the following procedures.
- 2) **⚠ WARNING** Be certain that the replacement chain is obtained from Kito and is the exact size, grade and construction as the original chain. The new load chain must have an odd number of links so that both its end links have the same orientation. If the load chain is being replaced due to damage or wear out, destroy the old chain to prevent its reuse.
- 3) **⚠ CAUTION** When replacing load chain, check for wear on mating parts, i.e. Load Sheave, Chain Guides and Idle Sheaves, and replace parts if necessary.
- 4) Remove all chain components including the Bottom Hook Set Assembly, Stoppers, Cushion Rubbers, Chain Springs, Striker Plates, Chain Pin and End Wire (or End Suspender) from the chain for reuse on new chain. Inspect and replace any damaged or worn parts.
- 5) Using a C-link, attach the new chain to the end link of the old chain on the no-load side. The end link of the new load chain should be connected so that the welded portions of the load chain's standing links are oriented to the outside as they pass over the sheave. Refer to [Figure 6-3](#).
- 6) Operate the hoist down to move the chain through the hoist body. Stop when a sufficient amount of new chain is accumulated on the load side.
- 7) Single fall hoists - Attach the chain components (step 4 above) to the chain. Refer to [Section 3.2](#) for the proper locations.
- 8) Double falls (030C) - Feed the end link on the load side of the new chain through the required chain components (step 4 above) and the bottom hook's Idle Sheave. Attach the remaining chain components to the chain referring to [Section 3.2](#) for the proper locations. Connect the end link to the top connection yoke with the chain pin, slotted nut and cotter pin. Ensure that chain remains free of twists. Refer to [Figures 3-6](#) and [3-7](#).
- 9) **⚠ WARNING** Make sure Stoppers, Cushion Rubbers, Chain Springs and Striker Plates are properly installed. Refer to [Section 3.2](#).
- 10) After installation has been completed, perform steps outlined in [Section 3.6](#) "Preoperational Checks and Trial Operation".



## 6.4 Friction Clutch

6.4.1 Friction Clutch – If abnormal operation or slippage occurs DO NOT attempt to disassemble or adjust the Friction Clutch. Replace the worn or malfunctioning Friction Clutch as an assembly with a new, factory adjusted part.

## 6.5 Storage

6.5.1 The storage location should be clean and dry.

## 6.6 Outdoor Installation

6.6.1 For hoist installations that are outdoors, the hoist should be covered when not in use.

6.6.2 Possibility of corrosion on components of the hoist increases for installations where salt air and high humidity are present. Make frequent and regular inspections of the unit's condition and operation.



## 7.0 Troubleshooting

### **⚠ WARNING**

#### **HAZARDOUS VOLTAGES ARE PRESENT IN THE HOIST AND IN CONNECTIONS BETWEEN COMPONENTS.**

Before performing ANY troubleshooting on the equipment, de-energize the supply of electricity to the equipment, and lock and tag the supply device in the de-energized position. Refer to ANSI Z244.1, "Personnel Protection - Lockout/Tagout of Energy Sources."

Only Trained and competent personnel should inspect and repair this equipment.

**Table 7-1 Troubleshooting Guide**

Symptom	Cause	Remedy
Hoist moving in wrong direction	Power supply reversed phased	Switch the 2 power supply cord wires at the power source.
	Improper electrical connections	Refer to wiring diagram and check all connections.
Hoist will not operate	Loss of power	Check circuit breakers, switches, fuses and connections on power lines/cable.
	Wrong voltage or frequency	Check voltage and frequency of power supply against the rating on the nameplate of the motor.
	Hoist overload	Reduce load to within rated capacity of hoist.
	Motor overheated and optional thermal overload protector has tripped	See Trouble Shooting Problem "Motor or brake overheating".
	Improper, loose, or broken wire in hoist electrical system	Shut off power supply, check wiring connections on hoist control panel and inside push-button pendant.
	Brake does not release	Check motor brake adjustment for proper clearance.
	Faulty magnetic contactor	Check coil for open or short circuit. Check all connections in the control circuit. Check for open contactors. Replace as needed.
	Defect in control transformer	Check transformer coil for signs of overheating. Disconnect transformer and check for open winding.
Motor burned out	Replace motor frame/stator, shaft/rotor, and any other damaged parts.	

**Table 7-1 Troubleshooting Guide**

Symptom	Cause	Remedy
Hoist will not operate (continued)	Faulty Start Switch	Disconnect Start Switch from motor. The resistance between the Start Switch terminals 2 and 3 should be greater than 500K ohms. If not, consult factory.
	Faulty Start Capacitor(s)	Check capacitor(s) for open or short circuit. Check connections. Replace as needed.
Hoist lifts but will not lower	Down circuit open	Check circuit for loose connections. Check down side of limit switch for malfunction.
	Broken conductor in pendant cord	Check the continuity for each conductor in the cable. If one is broken, replace entire cable.
	Faulty magnetic contactors	Check coils for open or short circuit. Check all connections on motor circuit. Check for burned contacts. Replace as needed.
	Faulty switch in pendant	Check electrical continuity. Check electrical connections. Replace or repair as needed.
Hoist lowers but will not lift	Hoist overloaded	Reduce load to within rated capacity of hoist.
	Low voltage in hoist's power supply	Determine cause of low voltage and bring to within plus or minus 10% of the voltage specified on the motor nameplate. The voltage should be measure at the hoist contactor.
	Up circuit open	Check circuit for loose connections. Check up side of limit switch for malfunction.
	Broken conductor in pendant cord	Check the continuity of each conductor in the cable. If one is broken, replace entire cable.
	Faulty magnetic contactor	Check coils for open or short circuit. Check all connections on motor circuit. Check for burned contacts. Replace as needed.
	Faulty switch in pendant	Check electrical continuity. Check electrical connections. Replace or repair as needed.
	Faulty friction clutch	If abnormal operation or slippage occurs do NOT attempt to disassemble or adjust the Friction Clutch. Replace the worn or malfunctioning Friction Clutch as an assembly with a new, factory adjusted part.
Hoist will not lift rated load or does not have the proper lifting speed	Hoist overloaded	Reduce load to within rated capacity.
	Low voltage in hoist's power supply	Determine cause of low voltage and bring to within plus or minus 10% of voltage specified on the motor nameplate. The voltage should be measured at the hoist contactor.
	Brake drags	Check motor brake adjustment for proper clearance.
	Faulty friction clutch	If abnormal operation or slippage occurs do NOT attempt to disassemble or adjust the Friction Clutch. Replace the worn or malfunctioning Friction Clutch as an assembly with a new, factory adjusted part.
Load drifts excessively when hoist is stopped	Motor brake not holding	Clean and inspect brake lining. Check brake adjustment for proper clearance.

**Table 7-1 Troubleshooting Guide**

<b>Symptom</b>	<b>Cause</b>	<b>Remedy</b>
Motor or brake overheating	Excessive load	Reduce load to within rated capacity of hoist.
	Excessive duty cycle	Reduce frequency of lifts.
	Wrong voltage or frequency	Check voltage and frequency of power supply against the rating on the nameplate on the motor.
	Brake drags	Check brake adjustment for proper clearance.
	Extreme external heating	Above an ambient temperature of 40°C, the frequency of hoist operation must be reduced to avoid overheating of the motor. Special provisions should be made to ventilate the hoist or otherwise shield it from the heat.
Hoist operates intermittently	Collectors making poor contact	Check movement of spring loaded arm, weak spring, connections, and shoe. Replace as needed.
	Contactors contacts arcing	Check for burned contacts. Replace as needed.
	Loose connection in circuit	Check all wires and terminals for bad connections. Replace as needed.
	Broken conductor in Pendant Cord	Check for intermittent continuity in each conductor the Pendant Cord. Replace entire Pendant Cord if continuity is not constant.

## 8.0 Parts List

When ordering Parts, please provide the Hoist model number, lot number and serial number located on the Hoist nameplate.

Reminder: Per sections 1.1 and 3.6.4 to aid in ordering Parts and Product Support, record the Hoist model number, lot number and serial number in the space provided on the cover of this manual.

The parts list is arranged into the following sections:

Section	Page
8.1 Housing and Motor Parts.....	38
8.2 Gearing Parts.....	42
8.3 Hook Parts.....	44
8.4 Chaining Parts.....	48
8.5 Electric Parts.....	50
8.6 Power Supply and Pendant Parts.....	52

In the column "Parts Per Hoist" a designator is used for parts that apply only to a particular model or option. Refer to [Section 2](#) for hoist model numbers and additional descriptions. The designators are:

U = Upper Limit Switch only (standard)

U/L = Upper/Lower Limit Switch (optional)

**This Page Intentionally Left Blank**

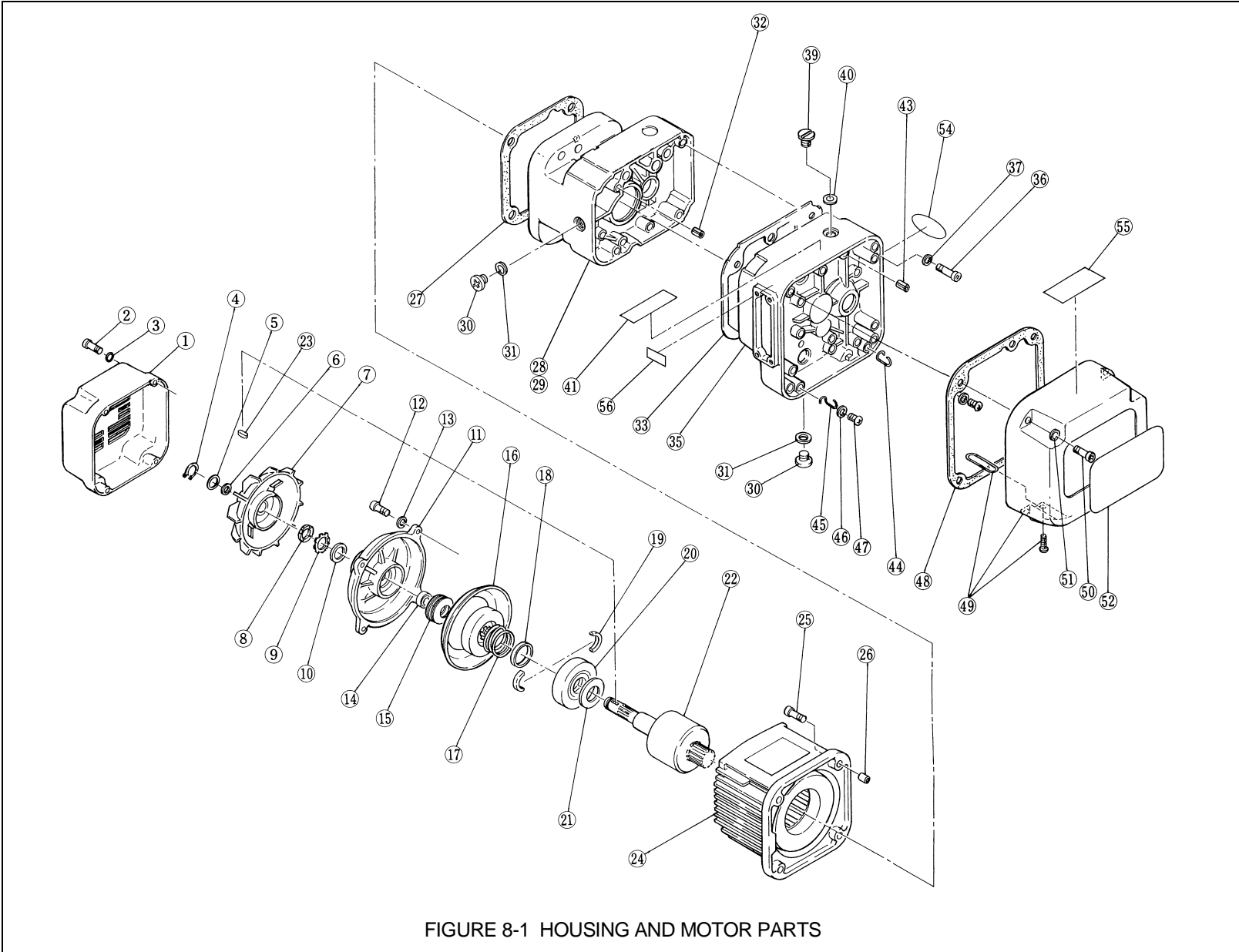


FIGURE 8-1 HOUSING AND MOTOR PARTS

Figure No.	Part Name	Parts Per Hoist	003S	005L	005S	010L	010S	020L	030C	
1	Fan Cover	1	ER1BS9107		ER1CS9107		ER1DS9107			
2	Socket Bolt	4	J1BE1-0504022						J1BE1-0604524	
3	Toothed Lock Washer	4	J1WH012-10050						J1WH012-10060	
4	Snap Ring	1	J1SS000-00015						J1SS000-00018	
5	Fan Washer	1	ER1BS9322						ER1DS9322	
6	O Ring	1	J1OP011-00110						J1OP011-00140	
7	Fan	1	ER1BS9108		ER1CS9108		ER1DS9108			
8	Nut	1	ES217005S						ES217010S	
9	Lock Washer	1	ES218005S						ES218010S	
10	Spacer	1	ES216S005						ES216S010	
11	Motor Cover Assembly	1	ER1BS2106		ER1CS2106		ER1DS2106			
12	Socket Bolt	4	J1BE1-0602525		J1BE1-0802525		J1BE1-1003030			
13	Spring Washer	4	J1WS011-20060		J1WS011-20080		J1WS011-20100			
14	Collar M	1	ES192005S						ES192010S	
15	Coned Disc Spring M	4	E3S191005S						ES191010S	
16	Brake Drum Assembly	1	ER1BS5212		EP1CS5212		ER1DS5212			
17	Brake Spring	1	ER1BB9214		EP1CS9214		EP1DS9214			
18	Thrust Collar	1	ES506003		ES506005S		ES506010S			
19	Thrust Disc	2	ES505003						ES505010S	
20	Pull Rotor	1	ES503003						ES503010S	
21	Coned Disc Spring	1	ES504003						ES504010S	
22	Motor Shaft with Rotor	1	EP1BS5502		EP1CS5502		EP1DS5502			
23	Key	1	ER1BS9320						ER1DS9320	
24	Motor Frame with Stator 115/230V-1-60	1	A1CHF03S5A1		A1CHF05S5A1		A1CHF10S5A1			
	Motor Frame with Stator – optional thermal protection 115/230V-1-60		A1CHF03S5TP		A1CHF05S5TP		A1CHF10S5TP			
25	Socket Bolt	4	J1BE1-0603030		J1BE1-0803535		J1BE1-1004040			
26	Set Pin S	2	ES120003		ES120010S		ER1DS9138			
27	Packing M	1	ER1BS9118		ER1CS9118		ER1DS9118			
28	Body A	1	ER1BS9100							
29	Body B	1	ER1BS9101		ER1CS9101		ER1DS9101			
30	Oil Plug	2	E3S111003							
31	Plug Packing	2	E3S112003							
32	Set Pin S	2	ES120003						ES120010S	
33	Packing G	1	ER1BS9116		ER1CS9116		ER1DS9116			
35	Gear Case F	1	ER1BS9103		ER1CS9103		ER1DS9103			
36	Socket Bolt	4	J1BE1-0606524						J1BE1-0809028	

Figure No.	Part Name	Parts Per Hoist	003S	005L	005S	010L	010S	020L	030C	
37	Toothed Lock Washer	4	J1WHH012-10060				J1WH012-10080			
39	Oil Plug B	1	ER1BS9135							
40	Eyebolt Packing	1	ES127005S							
41	Name Plate OF	1	ER1BS9890							
43	Spring Pin	1	E3S129005S							
44	Cover Suspender A	1	ER1BS9431							
45	Cover Suspender B	1	ER1BS9432							
46	Washer	2	ER1BS9436							
47	Machine Screw with Lock Washer	2	ES650005S							
48	Packing C	1	ER1BS9117	ER1CS9117		ER1DS9117				
49	Controller Cover Assembly	1	ER1BB2104	ER1CB2104		ER1DB2104				
50	Socket Bolt	4	J1BE1-0504022				J1BE1-0604024			
51	Spring Washer	4	J1WS011-20050				J1WS011-20060			
52	Name Plate B	1	A1CHF03S9A3	A1CHF05L9A3	A1CHF05S9A3	A1CHF10L9A3	A1CHF10S9A3	A1CHF20L9A3	A1CHF30R9A3	
54	Name Plate AD	1	ER1BS9868	ER1BL9868	ER1BS9868	ER1BL9868	ER1BS9868	ER1BL9868	ER1DR9868	
55	Warning Label EE	1	ER2CS99361							
56	Name Plate AE	1	EP1BS9896							



**This Page Intentionally Left Blank**

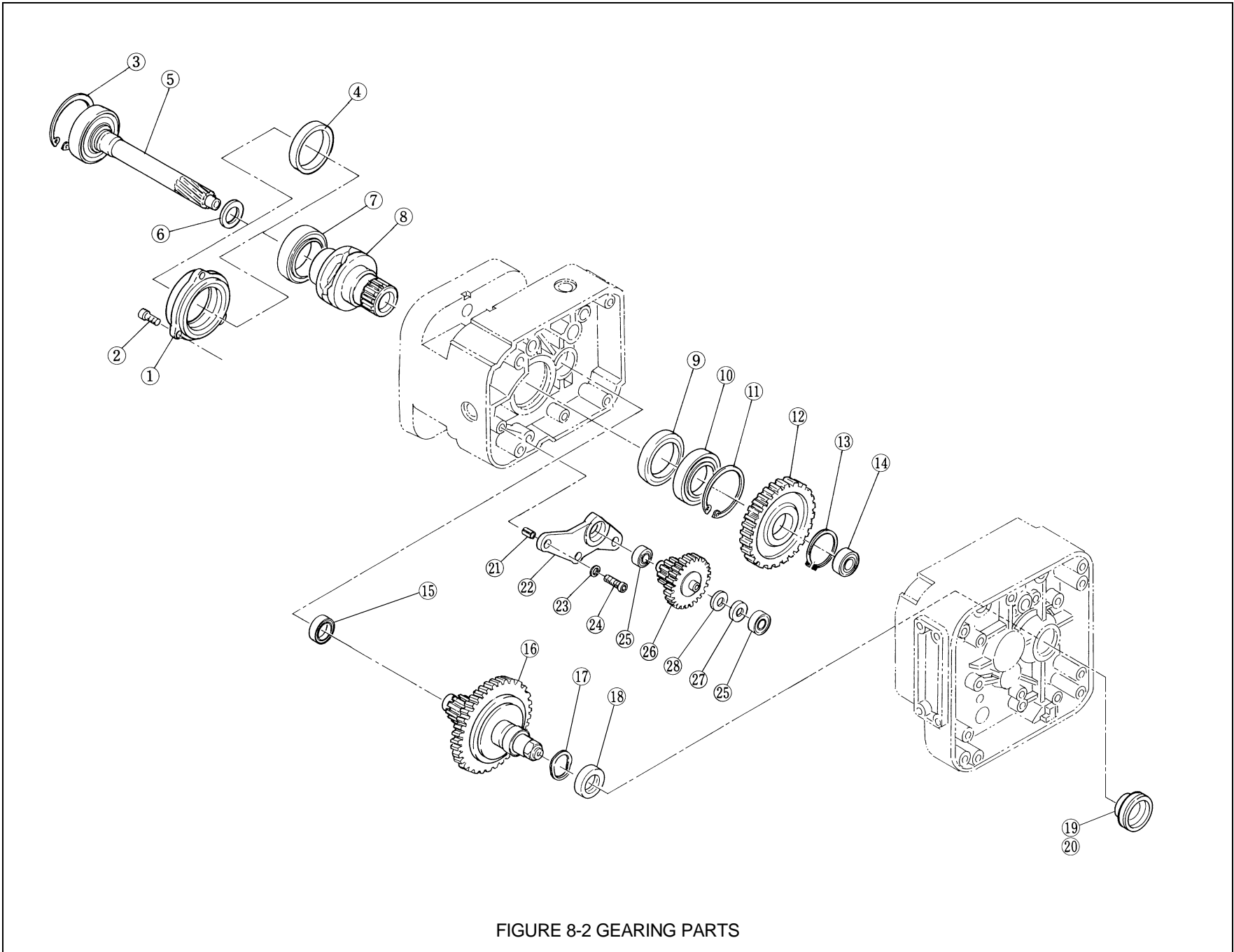


FIGURE 8-2 GEARING PARTS

Figure No.	Part Name	Parts Per Hoist	003S	005L	005S	010L	010S	020L	030C
1	Bearing Holder	1			ER1CS9110		ER1DS9110		
2	Socket Bolt	3			J1BE1-0501818		J1BE1-0602020		
3	Snap Ring	1	J1SR000-00062				J1SR000-00075		
4	Collar B	1	ER1BS9111						
5	Pinion Assembly	1	ER1BS5220		ER1CS5220		ER1DS5220		
6	Oil Seal	1	ES221003		ES221010S				
7	Ball Bearing	1	J1GR020-06007		J1GR020-06009		J1GR020-06209		
8	Load Sheave	1	ER1BS9241	ER1BL9241	ER1CS9241	ER1CL9241	ER1DS9241	ER1DL9241	
9	Oil Seal	1	ES232005S				ER1DS9244		
10	Ball Bearing	1	J1GR000-06007				J1GR000-06009		
11	Snap Ring	1	J1SR000-00062				J1SR000-00075		
12	Load Gear	1	ER1BL9240		ER1CS9240		ER1DS9240		ER1DE9240
13	Snap Ring	1	J1SS000-00030		J1SS000-00035		J1SS000-00045		
14	Ball Bearing	1	J1GR000-06201		J1GR000-06301		J1GR000-06303		
15	Ball Bearing	1	J1GR000-06301		J1GR000-06204		J1GR000-06404		
16	Friction Clutch Set	1	ER1BB1223	ER1BC1223	ER1CB1223	ER1CC1223	ER1DB1223	ER1DC1223	ER1DE1223
17	Wavy Washer	1	ER1BS9234		ER1CS9234		ER1DS9234		
18	Oil Seal	1	ES221005S		E6F235003S		ER1DS9233		
19	Friction Plug	1	ER1BS9235		ER1CS9235		ER1DS9235		
20	Nameplate FP	1	ER1BS9892						
21	Set Pin S	2		ES120003			ES120010S		
22	Gear Plate	1		ER1BC9261	ER1CL9261		ER1DL9261		
23	Spring Washer	3		J1WS011-20060			J1WS011-20080		
24	Socket Bolt	3		J1BE1-0603030			J1BE1-0803535		
25	Ball Bearing (Needle Bearing for 005L)	2		ER1BC9265	J1GR000-06000		J1GR000-06201		
26	Gear B Assembly	1		ER1BC5262	ER1CL5262	ER1CC5262	ER1DL5262	ER1DC5262	
27	Thrust Needle Bearing	1		ER1BC9268					
28	Thrust Plate	1		ER1BC9269					

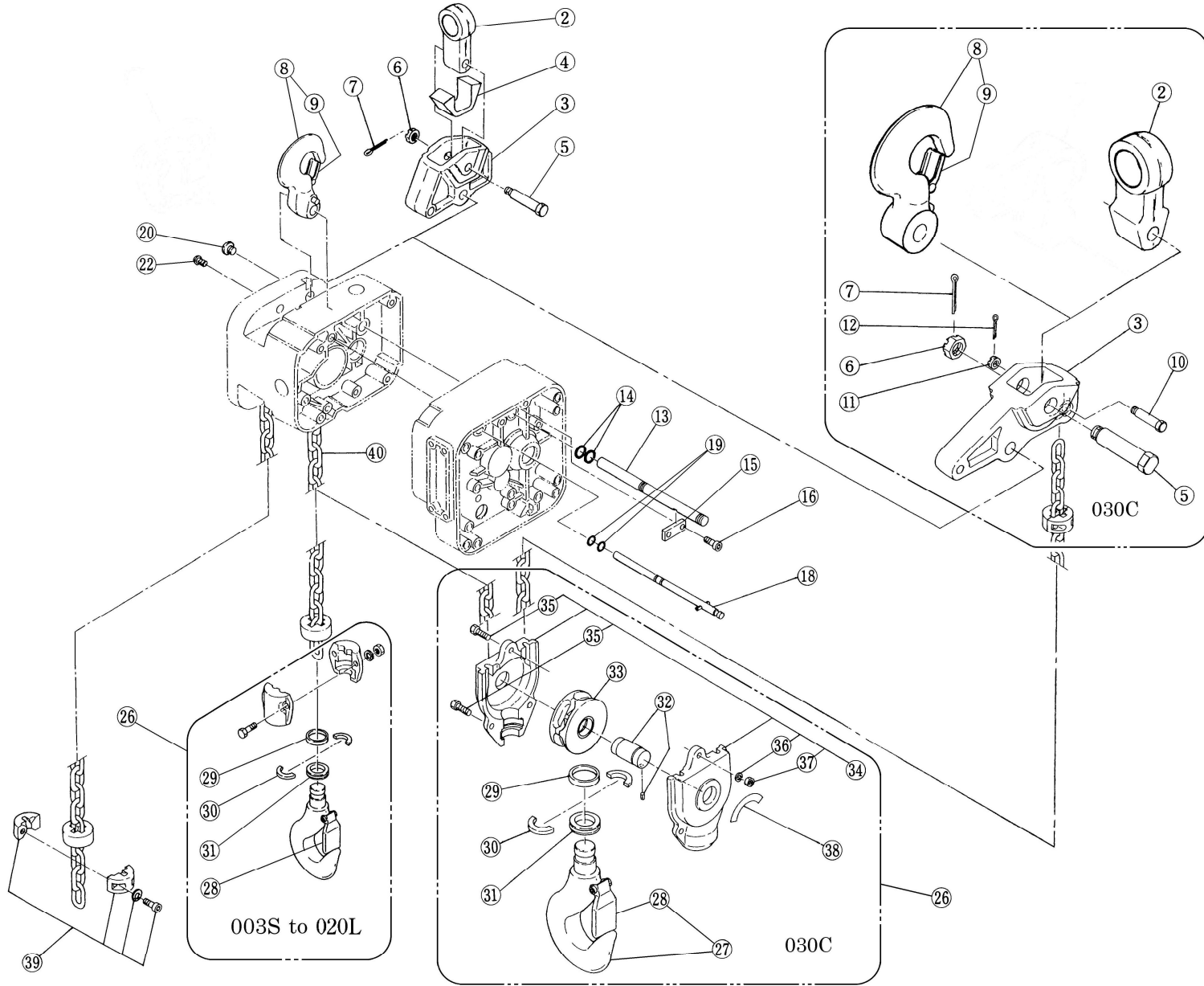


FIGURE 8-3 HOOK PARTS

Figure No.	Part Name	Parts Per Hoist	003S	005L	005S	010L	010S	020L	030C
2	Suspender E (for Geared Trolley)	1	T7GB010-90041					T7GB020-90041	T7GB030-90041
	Suspender E (for Push Trolley)	1	T7PB005-90042			T7GB010-90041		T7GB020-90041	T7GB030-90041
3	Connection Yoke	1	ER1BS9029	ER1CS9029		ER1DS9029	ER1DL9029	ER1DR9030	
4	Connection Yoke Rubber	1	ER1BS9028					ER1DL9028	
5	Yoke Bolt	1	ER1CS9032					ER1ES9032	
6	Slotted Nut	1	J1NL001-10100					J1NL001-20160	
7	Split Pin	1	J1PW01-025018					J1PW01-040030	
8	Top Hook Assembly	1	ER1BS1001	ER1BL1001	ER1CS1001	ER1CL1001	ER1DS1001	ER1DL1001	ER1DR1001
9	Hook Latch Assembly	1	ER1BS1002			ER1DS1002		ER1ES1002	ER1FS1002
10	Chain Pin	1							ES041030
11	Slotted Nut	1							M2049020
12	Split Pin	1							J1PW01-020016
13	Connection Shaft	1	ER1BS9121	ER1CS9121		ER1DS9121			
14	O Ring	2	J1OP011-00080	J1OP011-0010A		J1OP011-00125			
15	Plate A	1	ER1BS9123			ER1DS9123			
16	Machine Screw with Spring Washer	2	M6F554010						
18	Fixing Shaft Assembly	1	ER1BS1122	ER1CS1122		ER1DS1122			
19	O Ring	2	J1OP011-00070			J1OP011-00090			
20	Shaft Plug	1	ER1BS9128	ER1CS9128		ER1DS9128			
22	Machine Screw	1	J1AK2-6000808						

8.3 Hook Parts

Figure No.	Part Name	Parts Per Hoist	003S	005L	005S	010L	010S	020L	030C	
26	Bottom Hook Complete Set	1	ER1BS1011	ER1CS1011		ER1DS1011		ER1ES1011	ER1DR1011	
27	Bottom Hook Assembly	1								ER1FS2011
28	Hook Latch Assembly	1	ER1BS1002		ER1DS1002		ER1ES1002	ER1FS1002		
29	Thrust Collar A	1	ES026003		ES026010L		ES026015	ES026025		
30	Hook Stopper	2	ES027003		ES027010L		ES027015	ES027025		
31	Thrust Bearing	1	ES022003		ES022010L		ES022015	ES022025		
32	Bottom Shaft Assembly	1								ES5054030
33	Idle Sheave Assembly	1								ES1051030
34	Bottom Yoke Assembly	1								ES032030
35	Bolt	3								ES082025
36	Spring Washer	3								9012712
37	Nut	3								9093427
38	Name Plate C	1								M3805-030
39	Stopper Assembly	1	ER1CS10411		ER1DS10412		ER1ES10411			
		2								ER1ES10411
40	Load Chain (Nickel Plated)	1	KER050	KER063		KER080		KER100		

**This Page Intentionally Left Blank**

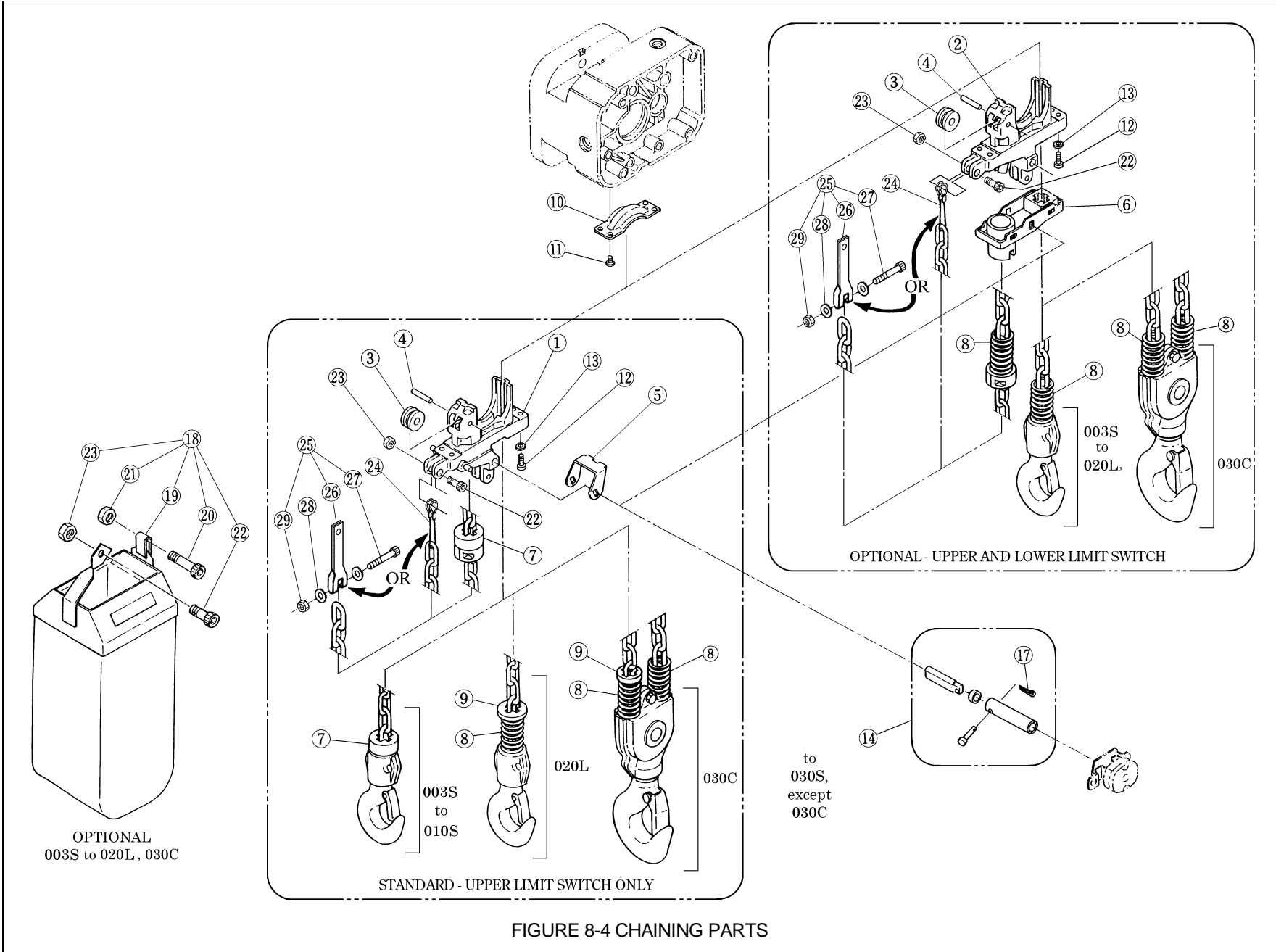
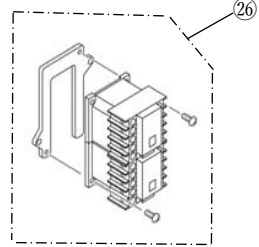
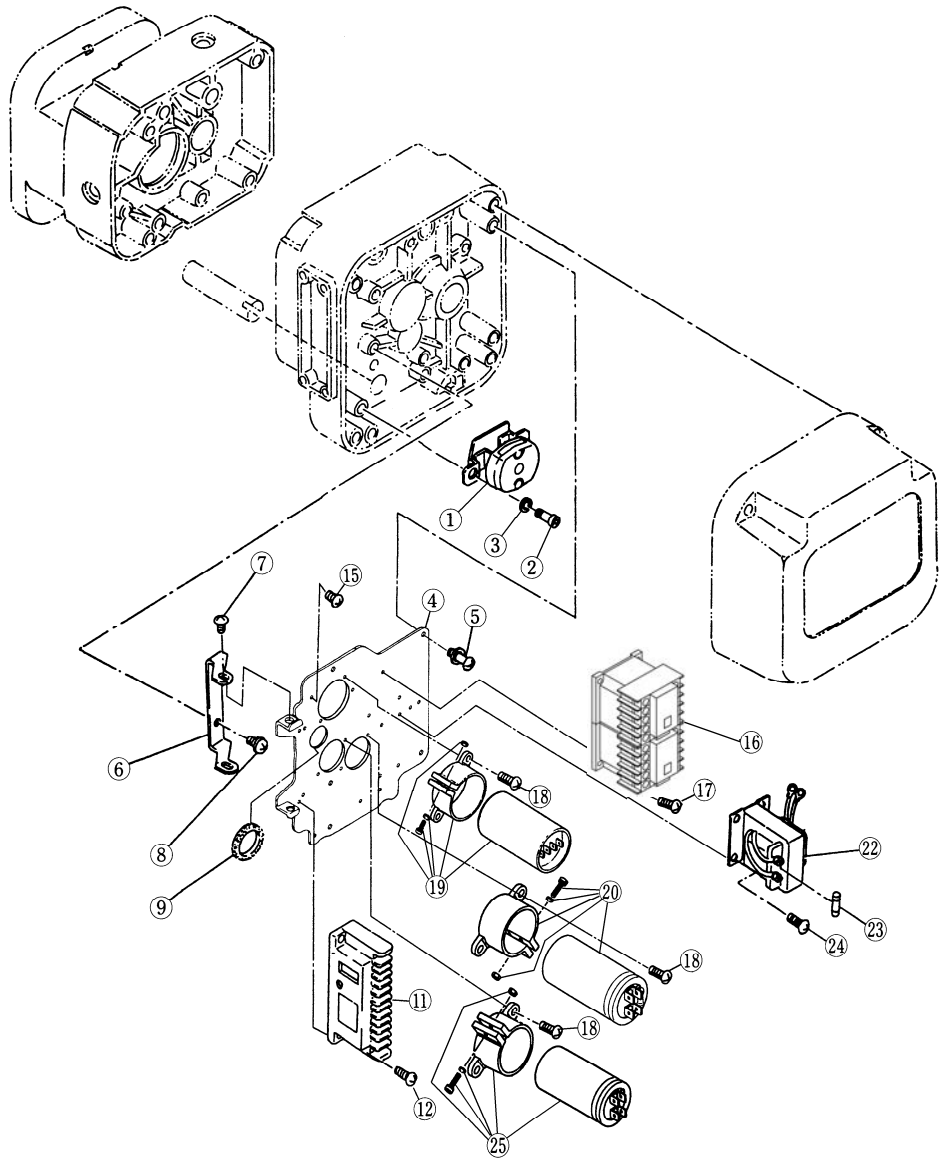


FIGURE 8-4 CHAINING PARTS



Fig No	Part Name	Parts Per Hoist		003S	005L	005S	010L	010S	020L	030C	
1	Chain Guide A	U	1	ER1BS9331	ER1BL9331	ER1CS1331	ER1CL1331	ER1DS1331	ER1DL1331		
2	Chain Guide AL	U/L	1	ER1BS9330	ER1BL9330	ER1CS9330	ER1CL9330	ER1DS9330	ER1DL9330		
3	Guide Roller		1			ES403005S	ER1DS9333		ER1DL9333		
4	Roller Pin		1			ER1CS9334		ER1DS9334	ER1DL9334		
5	Limit Lever S	U	1	ER1BS9337		ER1CS9337		ER1DS9337			
6	Limit Lever Assembly	U/L	1	ER1BS5335	ER1BL5335	ER1CS5335	ER1CL5335	ER1DS5335	ER1DL5335		
7	Cushion Rubber	U	(x)	ER1BS9053 (2)	ER1CS9053 (2)		ER1DS9053 (2)		ER1ES9053 (1)		
8	Chain Spring	U	(x)					ES047015 (1)	ER1DL9051 (2)		
		U/L	(x)	ES047D003 (2)	ES047A005 (2)		ER1DS9051 (2)		ES047015 (2)	ER1DL9051 (3)	
9	Limit Lever Striker	U	1							ER1ES9054	
10	Chain Guide B		1	ER1BS9332	ER1BL9332	ER1CS9332	ER1CL9332	ER1DS9332	ER1DL9332		
11	Mach. Screw w/Spring Washer		4			M6F554010					
12	Socket Bolt		4	90912138		9091254		9091277			
13	Spring Washer		4	9012709				9012711			
14	Limit Lever Pin Assembly		1	ER1BS1338		ER1CS1338		ER1DS1338			
17	Split Pin		1	9009410							
18	Chain Container Kit		1	BC-D1							
20	Socket Bolt		1	ER419001							
21	Lever Nut		1	ES855003							
22	Socket Bolt		1	ER414001							
23	Lever Nut		1	ES857005S							
24	End Wire		1	ER1BS9408				ER1DS9408			
25	End Suspender Assembly		1	ENDSUSB		ENDSUSCD				ENDSUSDR	
26	End Suspender		1	ER1BS9408R2							ER1DR9408
27	Socket Bolt		1	9091255		ER414001				J1BE0803518	
28	Flat Washer		2	J1WD01100060							
29	Lever Nut		1	ES855003		ES857005S					



Lot No.EP1A only

Fig No	Part Name	Parts Per Hoist		003S	005L	005S	010L	010S	020L	030C	
1	Limit Switch Assembly	U	1	ER1BS1551							
		U/L	1	ER1BS2551							
2	Socket Bolt		3	J1BE1-0601212							
3	Spring Washer		3	J1WS011-20060							
4	Plate		1	EP1BS9441		EP1CS9441		EP1DS9441			
5	Plate Screw		3	ER1BS9445							
6	Hinge		1	ER1BS9442		ER1CS9442		ER1DS9442			
7	Hinge Screw		2	ER1BS9443							
8	Mach. Screw w/Spring Washer		2	E6F151003							
9	Bushing		1	ECP99JBAA				ECP99JBAB			
11	Terminal Plate, 14P		1	ECP1314AA							
12	Mach. Screw w/Spring Washer		2	MS555010							
15	Mach. Screw w/Spring Washer		3	MS555010							
16	Electromagnetic Contactor		1	MGC23306J (For Lot No. EP1B)	MGC23306B						
17	Mach. Screw w/Spring Washer		(x)	MS556010 (2)	MS556010 (4)						
18	Mach. Screw w/Spring Washer		(x)	J1AW24001010 (4)				J1AW24001010 (6)			
19	Starter Switch Assembly		1	EP1CS2472							
20	Capacitor Assembly w/ Resistor		1	EP1BS2473		EP1CS2473		EP1BS2473			
22	Transformer - Primary = 115/230V - Secondary = 110V		1	TRF62F601							
23	Fuse - Trans. Secondary = 110V		1	9006271							
24	Mach. Screw w/Spring Washer		4	MS555010							
25	Capacitor Assembly		1					EP1DS5480			

When replacing Electromagnetic contactor, use the following for Lot No. EP1A.

26	Electromagnetic contactor complete set*		1	MGKK1036A				-			
----	---	--	---	-----------	--	--	--	---	--	--	--

\*With Electromagnetic contactor, Attachment spacer, Machine screw and Lead wire.

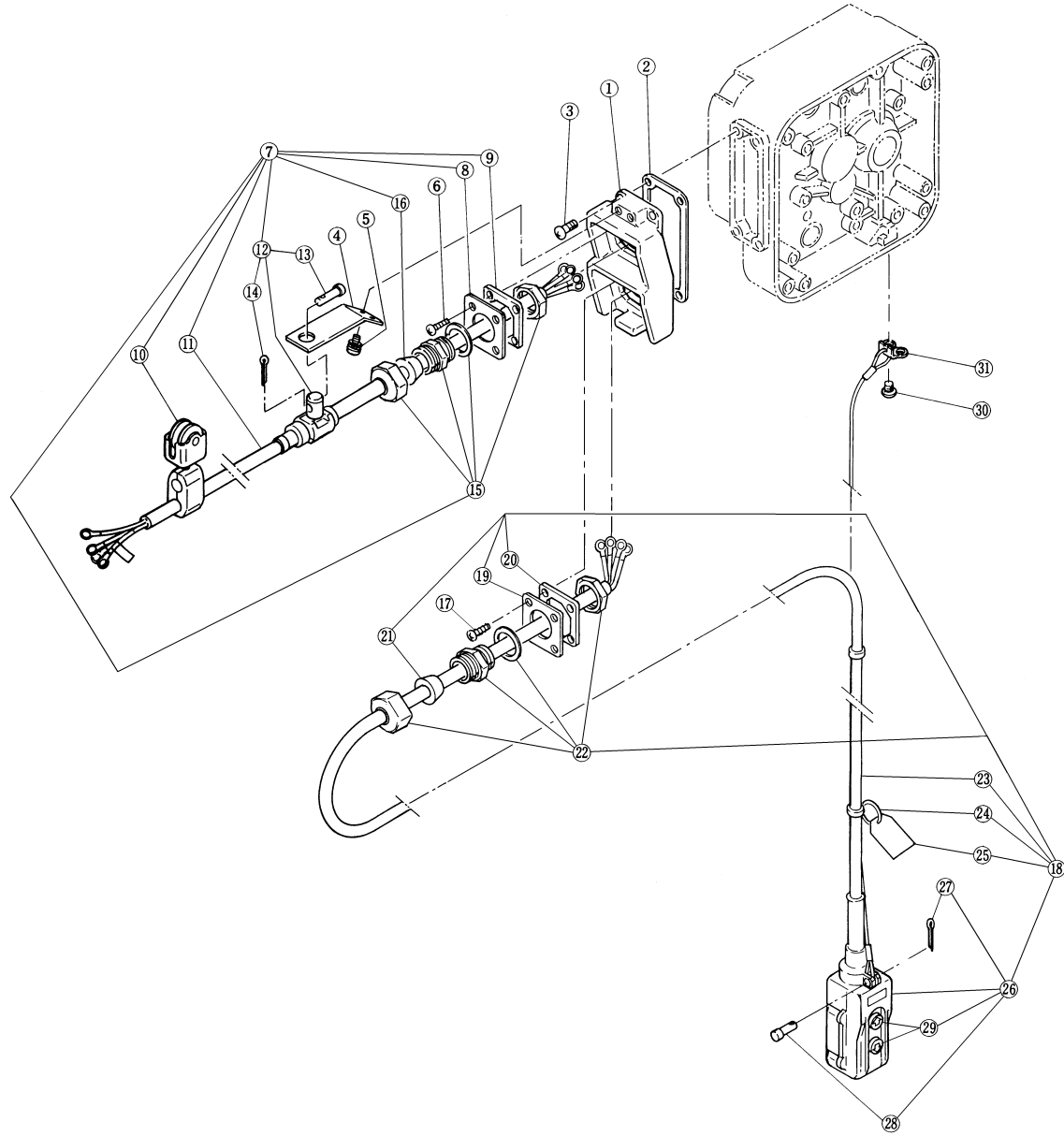


FIGURE 8-6 POWER SUPPLY AND PENDANT PARTS

Fig No	Part Name	Parts Per Hoist	003S	005L	005S	010L	010S	020L	030C	
1	Socket Holder	1	ER1BS9513							
2	Socket Holder Packing	1	ER1BS9512							
3	Machine Screw with Spring Washer	4	ES656003							
4	Cable Support Arm	1	ER1BS9541							
5	Machine Screw with Spring Washer	2	ES650005S							
6	Tapping Machine Screw	4	ER1BS9517							
7	Power Supply Cable 3C Complete Set	1	EP1BS1521	EP1CS1521						
8	Holder Plate	1	ECP5924AI							
9	Plate Packing	1	ECP5924AJ							
10	Cable Hanger 14 Assembly	2	ES1527003							
11	Power Supply Cable	1	14/4	12/4						
12	Cable Support Assembly	1	E4YS005-2822	M3ES010-1724						
13	Cable Support Pin B	1	ESES002-9541							
14	Split Pin	1	J1PW01-016010							
15	Cable Holder A Assembly	1	M1R1341-010S							
16	Cord Packing	1	ECP6914AA	ECP6916AA						
17	Tapping Machine Screw	4	ER1BS9517							
18	Push Button Cord Assembly	1	EP1BS1557							EP1DR1557
19	Holder Plate	1	ECP5924AI							
20	Plate Packing	1	ECP5924AJ							
21	Cord Packing	1	ECP6912AA							
22	Cable Holder A Assembly	1	M1R1341-010S							
23	Push Button Cord	1	16/3							
24	Tag Holder	1	E3S787003							
25	Warning Tag	1	SWD9013AE1							
26	2 Push Button Switch	1	ES1615S003							
27	Split Pin	1	J1PW01-016010							
28	Cord chain Pin B	1	ES628003							
29	Arrow Set	1	ARROWS							
30	Machine Screw with Spring Washer	1	M6F5541010							
31	Cord Support Wire Stopper	1	ER1BS95341							



## **9.0 Warranty**

Warranty explanation and terms.

All products sold by Kito Canada Inc. are warranted to be free from defects in material and workmanship from date of purchase for the following periods:

**Hoists, Trolleys and Parts: 1 year**

**ER2 Electric Hoists and MR2 Motorized Trolleys: 3 years**

**ER2 DC Current Brake: 10 years/ 2,000,000 cycles**

The product must be used in accordance with manufacturer's recommendations and must not have been subject to abuse, lack of maintenance, misuse, negligence, or unauthorized repairs or alterations.

Should any defect in material or workmanship occur during the above time period in any product, as determined by Kito Canada's inspection of the product, Kito agrees, at its discretion, either to replace (not including installation) or repair the part or product free of charge and deliver said item F.O.B. Kito Canada Inc. place of business to customer.

Customer must obtain a Return Goods Authorization (RGA) as directed by Kito Canada Inc. prior to shipping product for warranty evaluation. An explanation of the complaint must accompany the product. Product must be returned freight prepaid. Upon repair, the product will be covered for the remainder of the original warranty period. If it is determined there is no defect, or that the defect resulted from causes not within the scope of Kito's warranty, the customer will be responsible for the costs of returning the product.

Kito Canada Inc. disclaims any and all other warranties of any kind expressed or implied as to the product's merchantability or fitness for a particular application. Kito will not be liable for death, injuries to persons or property or for incidental, contingent, special or consequential damages, loss or expense arising in connection with the use or inability whatever, regardless of whether damage, loss or expense results from any act or failure to act by Kito, whether negligent or willful, or from any other reason.

# **KITO**

## **HOISTS & CRANES**

WEBSITE: [www.kito.ca](http://www.kito.ca)

E-MAIL: [info@kito.ca](mailto:info@kito.ca)

TOLL FREE: 1-888-322-KITO (5486)

**Kito Canada Inc. West**

309 – 3815 1<sup>st</sup> Ave  
Burnaby, BC, V5C 3V6  
Phone: 604-291-9955  
Fax: 604-294-8855

**Kito Canada Inc. East**

36 – 2400 Lucknow Drive  
Mississauga, ON, L5S 1T9  
Phone: 905-405-0905  
Fax: 905-405-0906